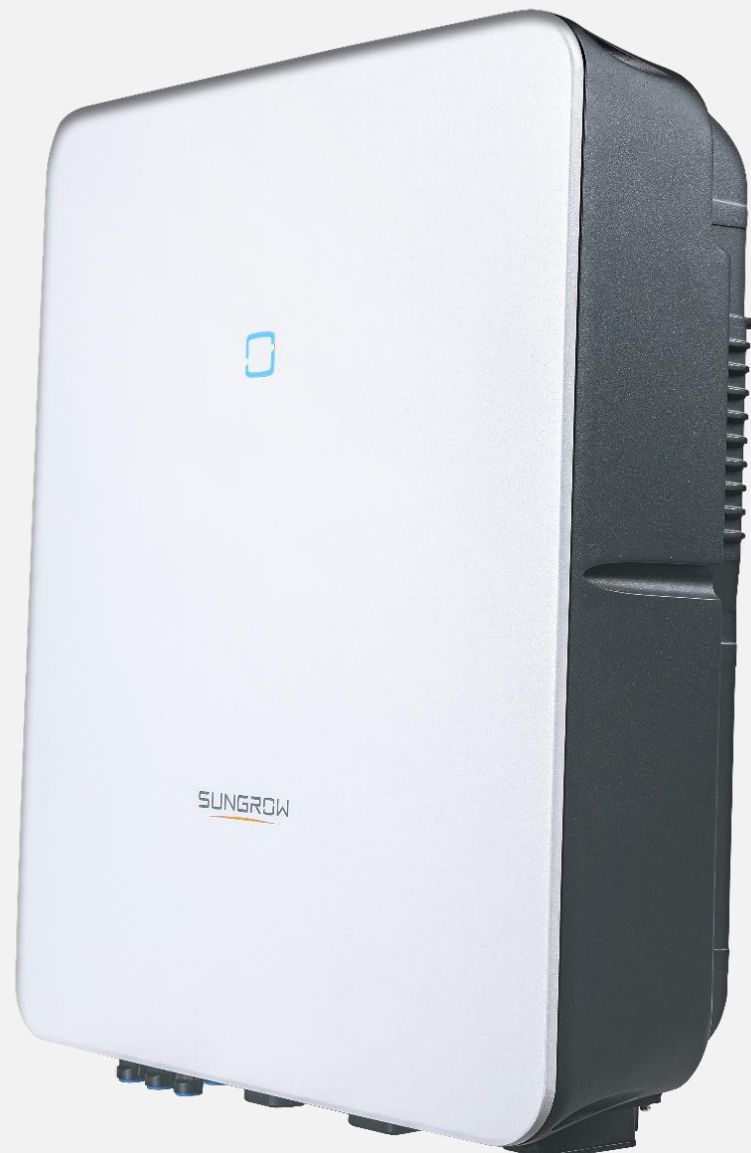


The logo for SUNGROW, featuring the word "SUNGROW" in a bold, orange, sans-serif font.

Clean power for all

SH5.0RT SH10RT HYBRID INVERTER(AU)



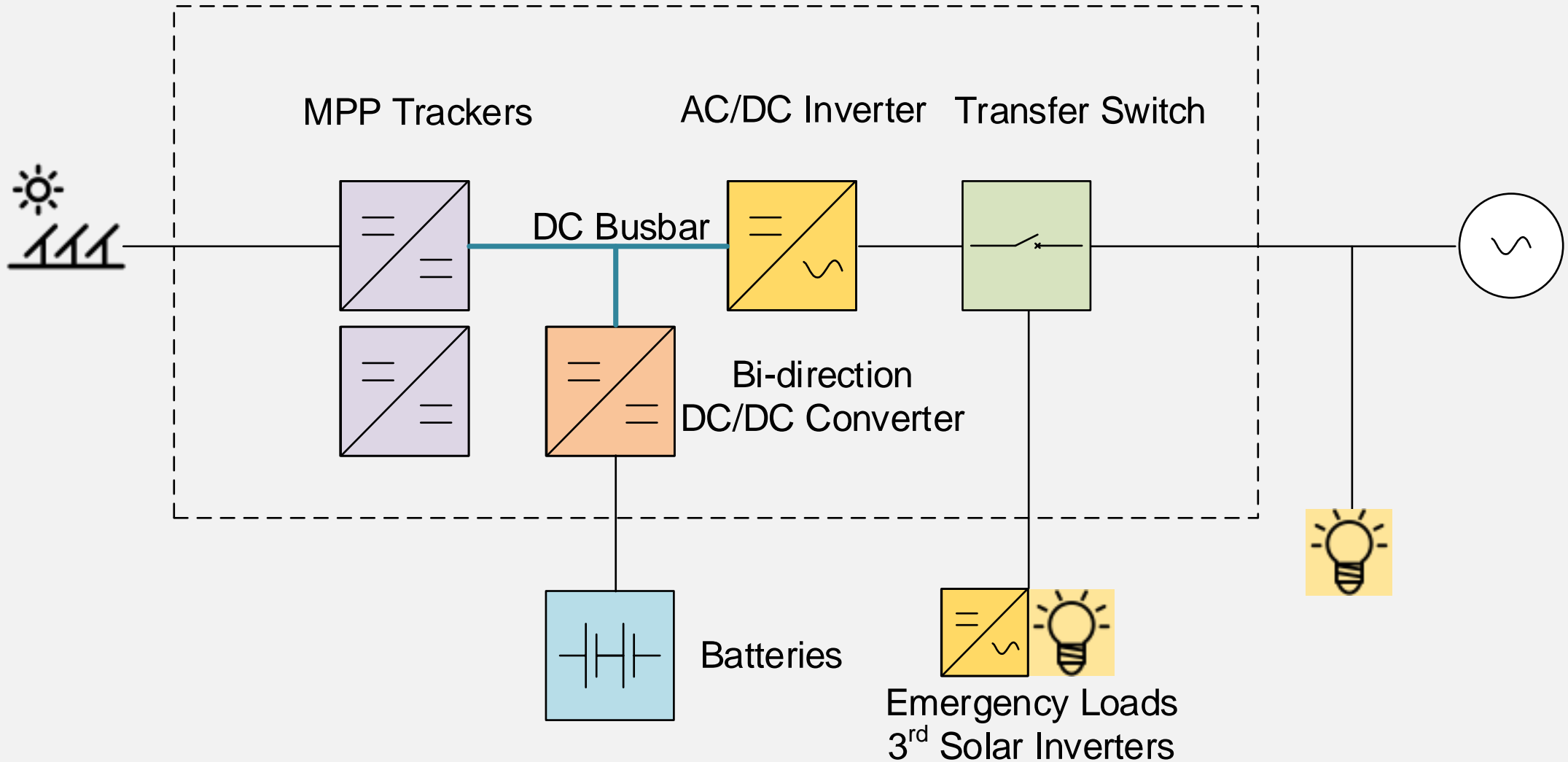
 3-phase

SH5.0RT
SH10RT
Hybrid for HV Battery



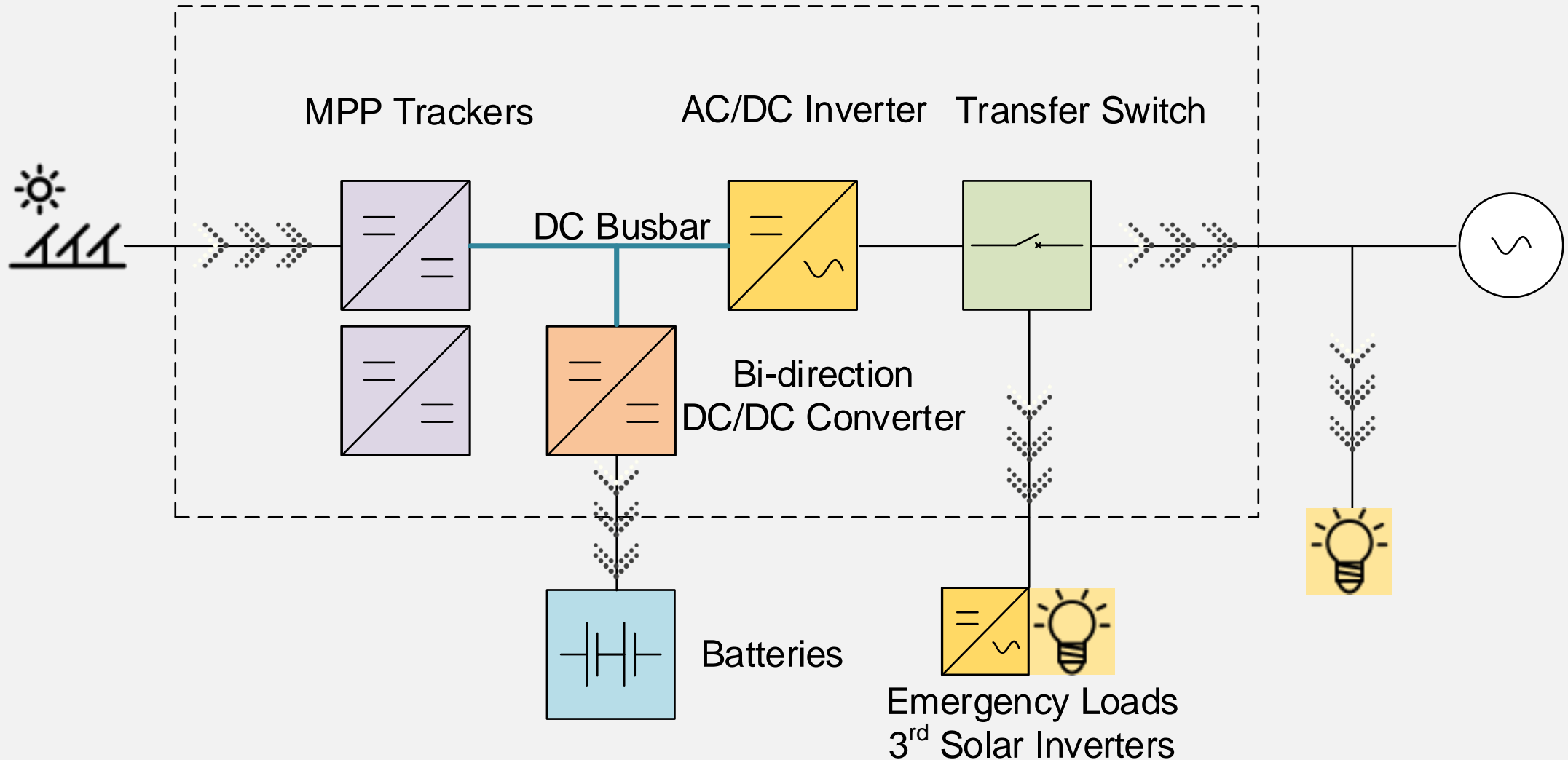
BASIC FEATURE

Basic Features / Circuit Diagram



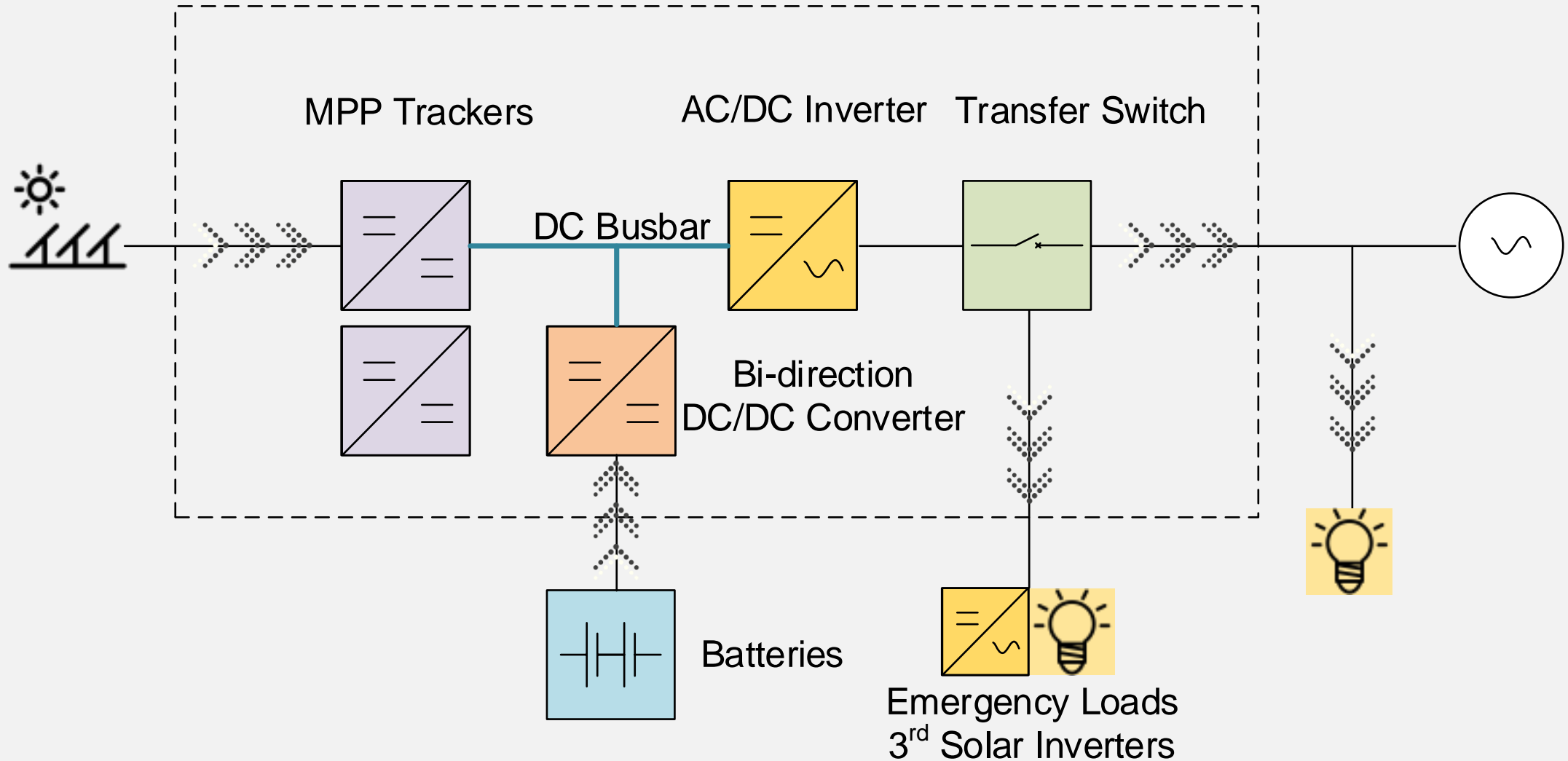
Basic Features / Circuit Diagram

1 Solar Power > Loads Consumption



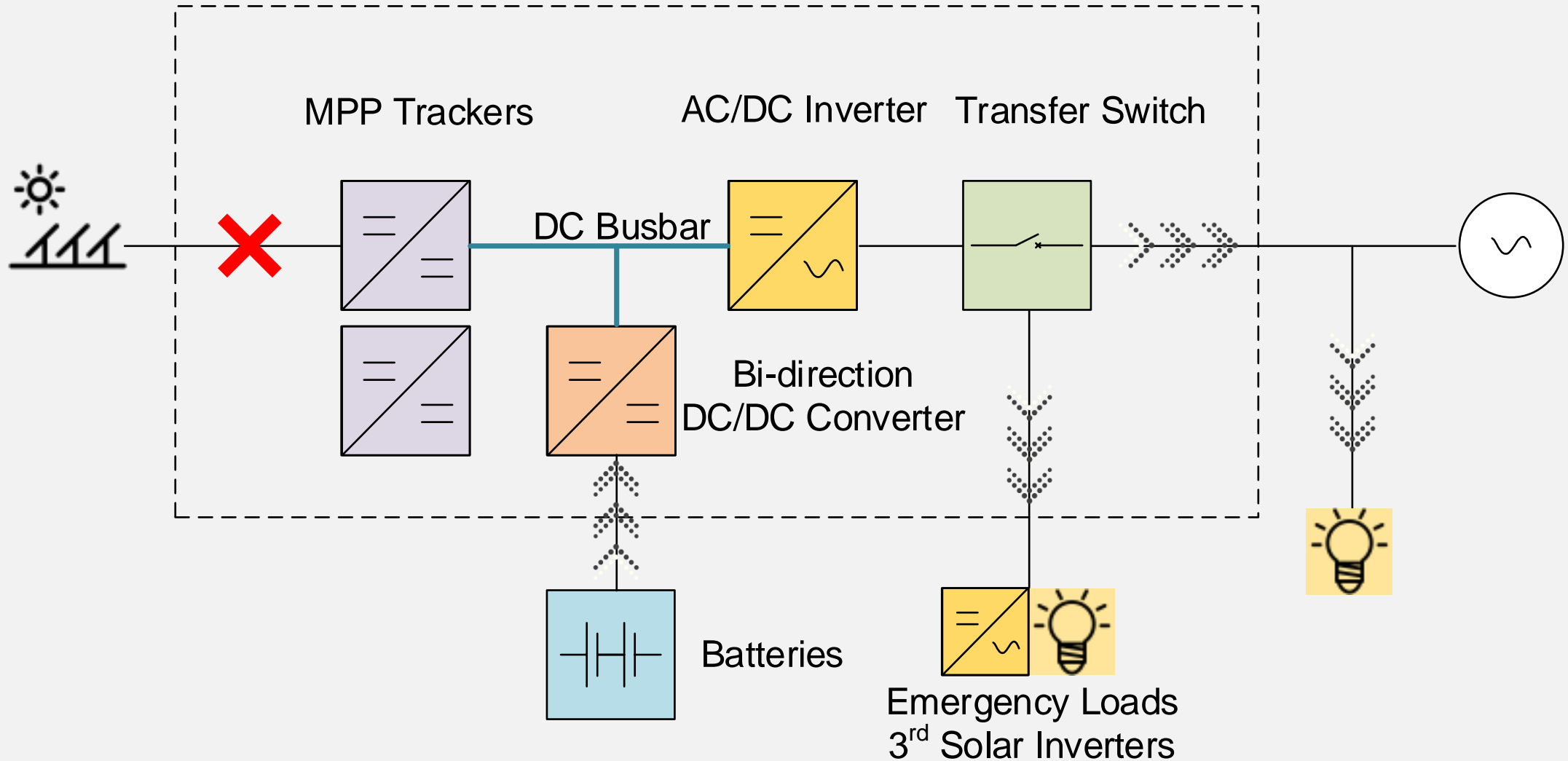
Basic Features / Circuit Diagram

2 Solar Power < Loads Consumption



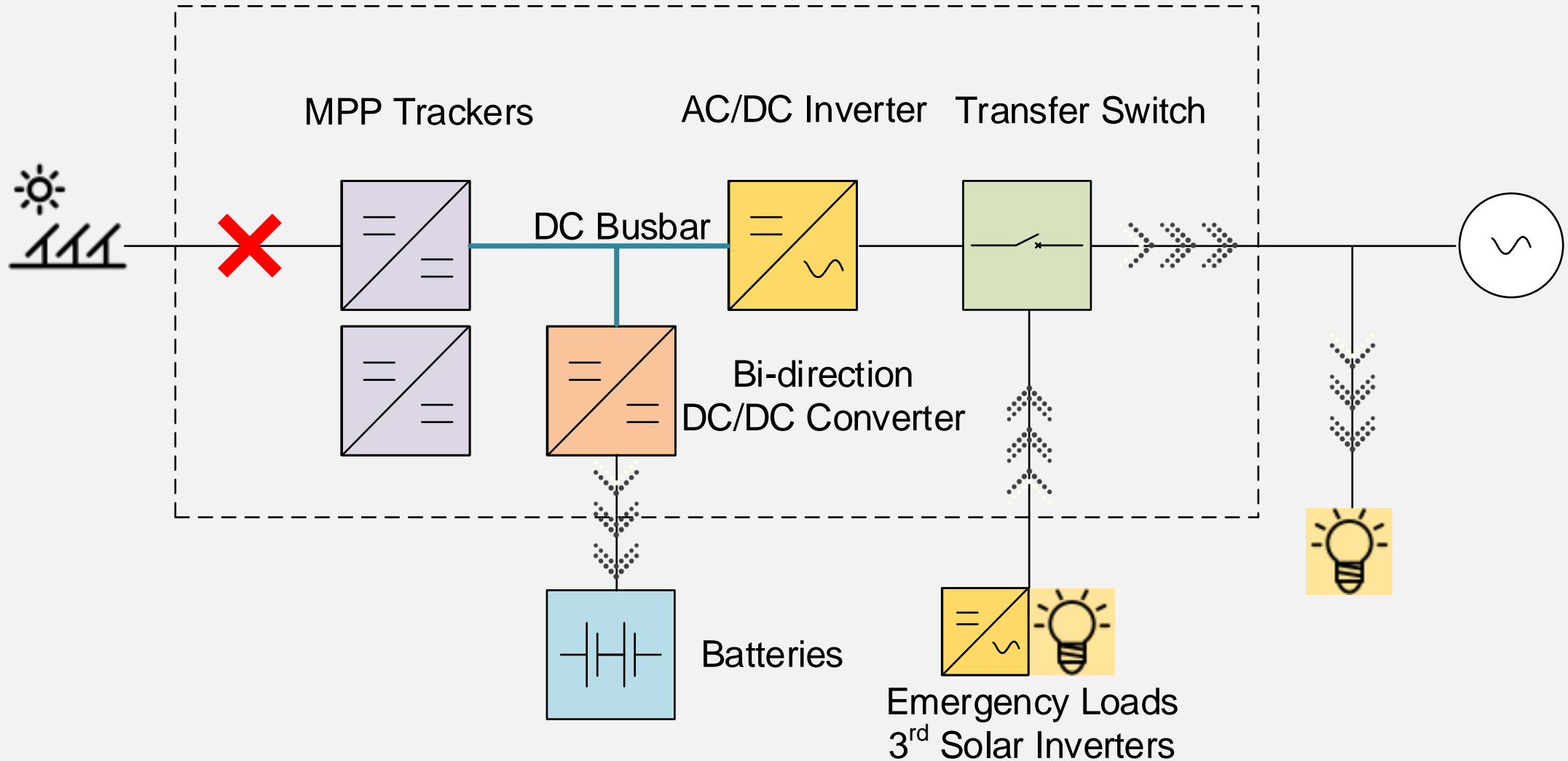
Basic Features / Circuit Diagram

3 No Solar Power

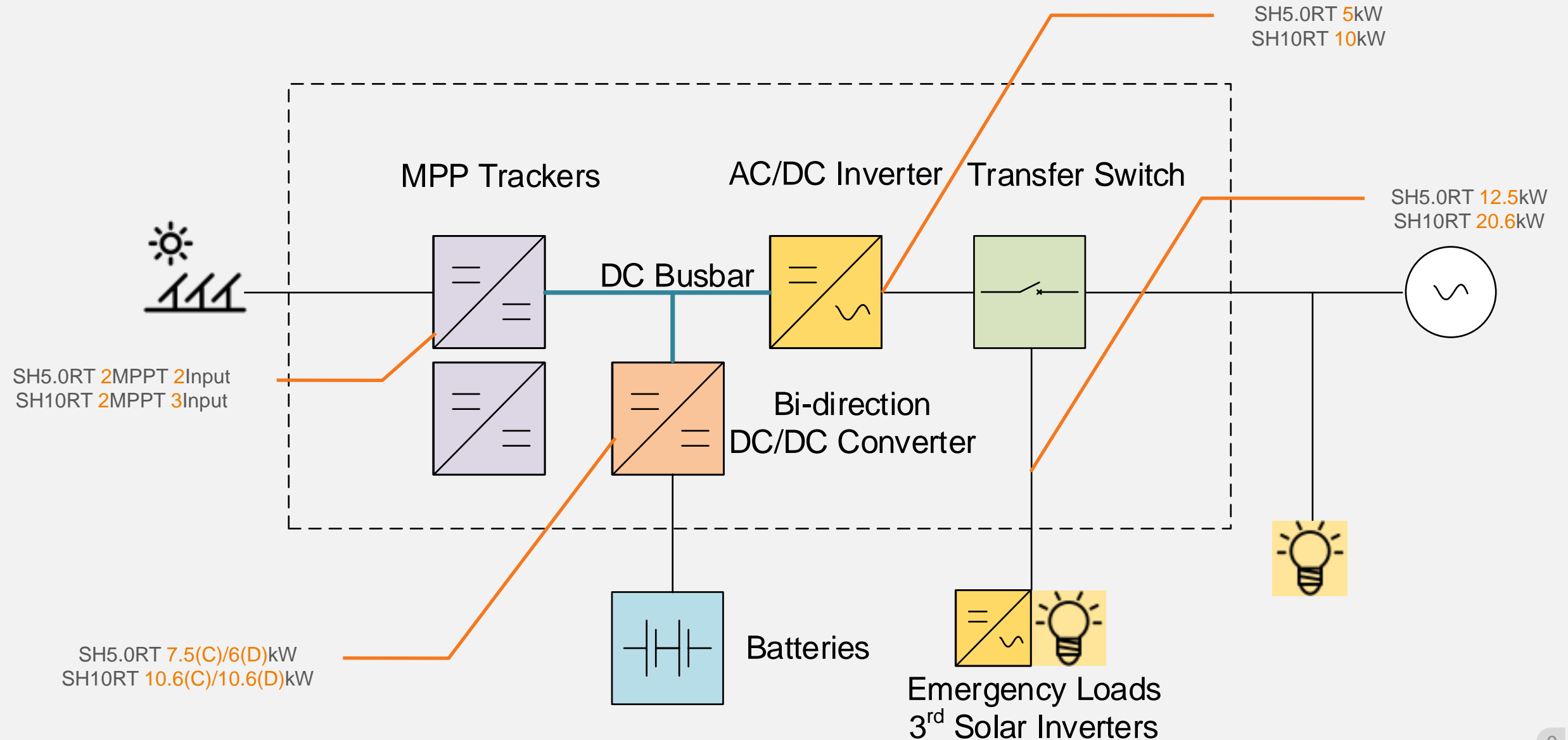


Basic Features / Circuit Diagram

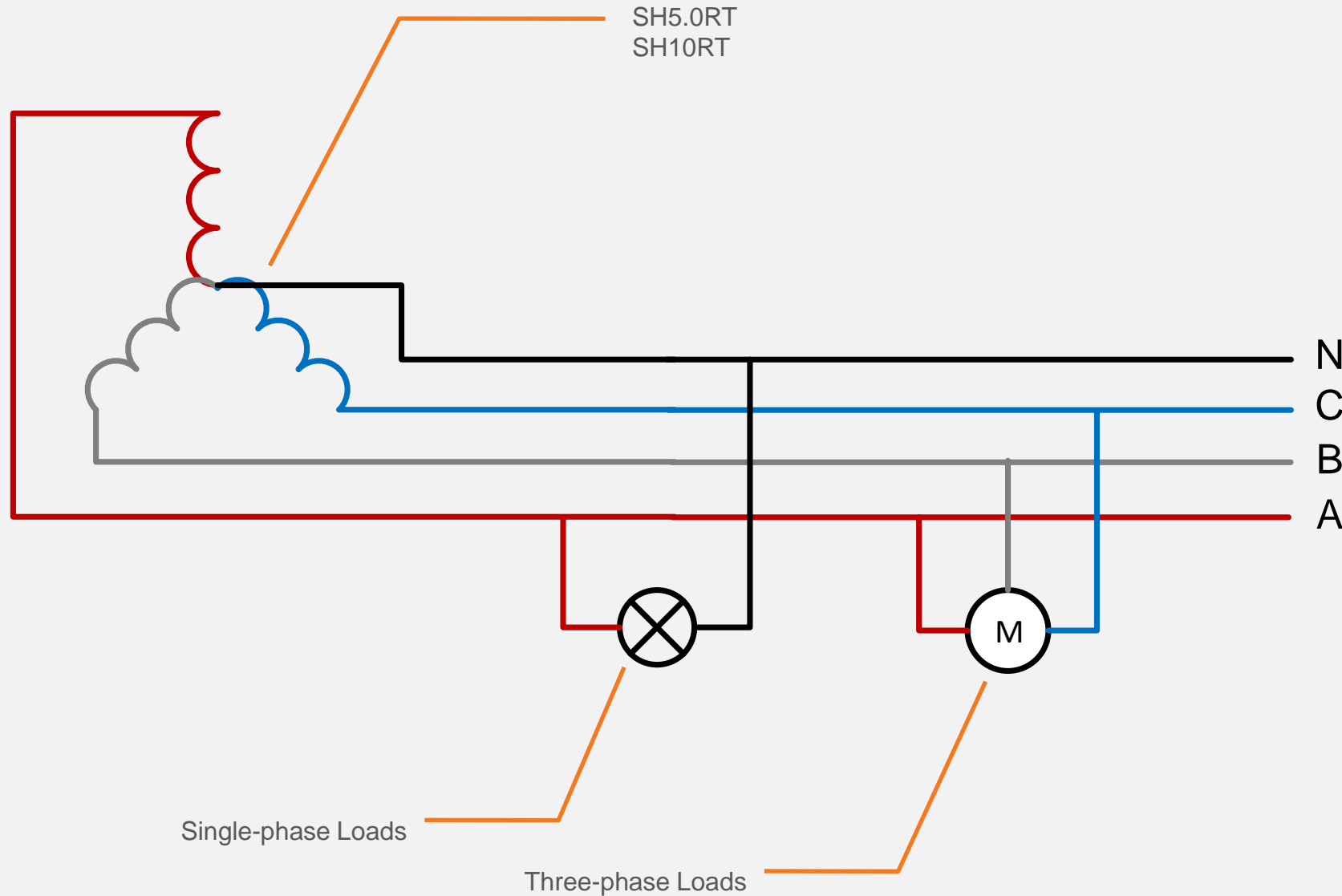
3 No Solar Power



Basic Features / Circuit Diagram




Basic Features / Three-phase with Neutral-phase




Basic Features / Compatible Battery



 **LG** RESU10H Type-R
RESU7H Type-R

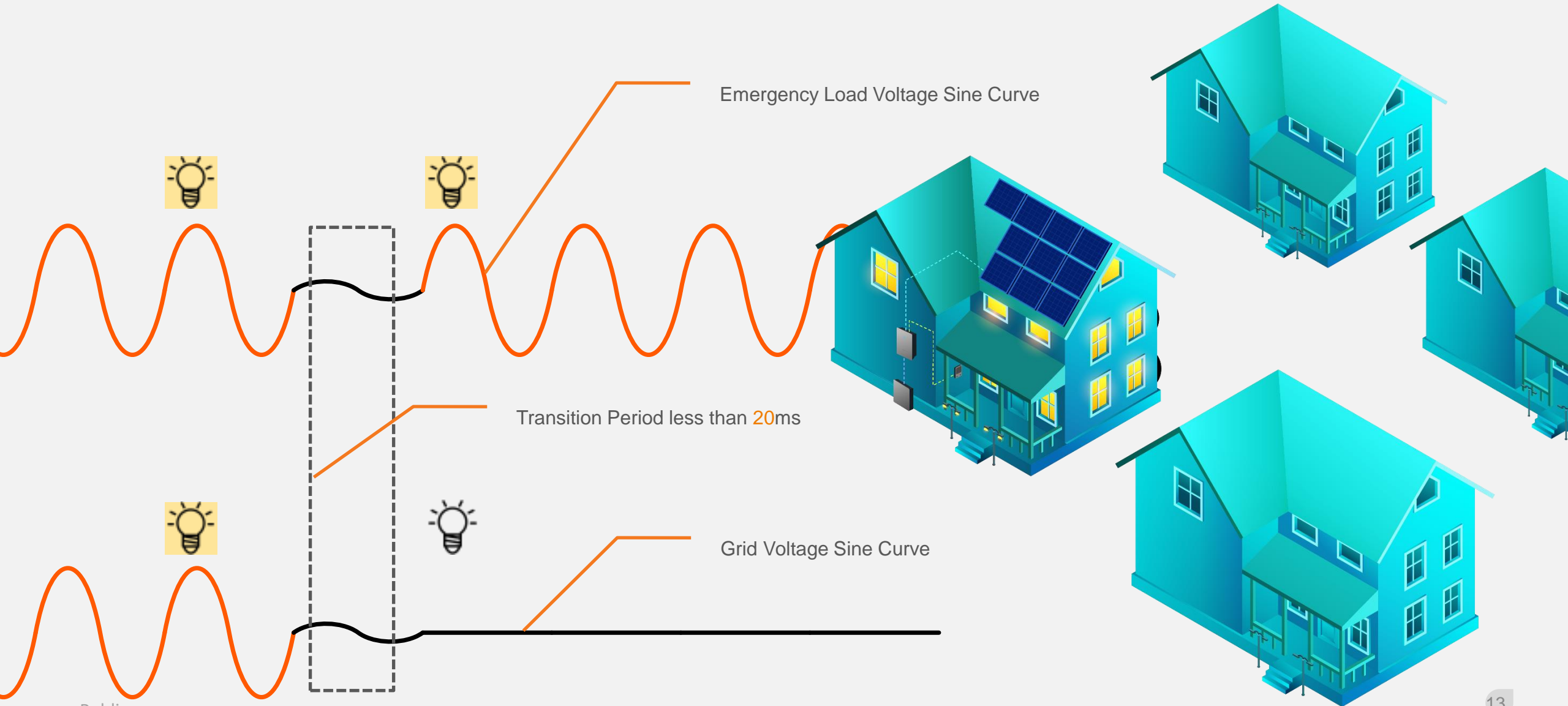


 **BYD** RP PREMIUM HVS 5.1~12.8
RP PREMIUM HVM 11.0~22.1

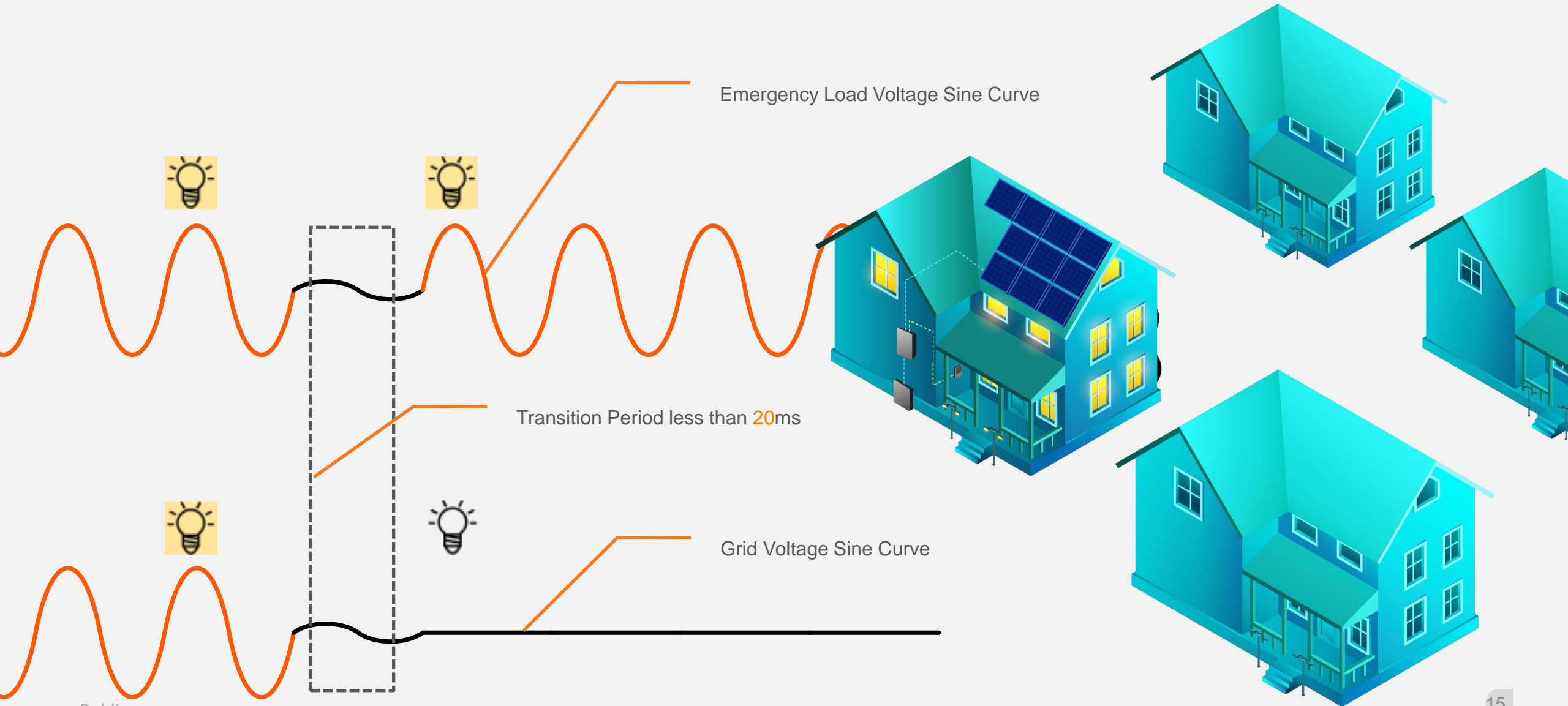


CUTTING-EDGE PERFORMANCE

Cutting-edge Performance / Uninterrupted Back-up Power Supply

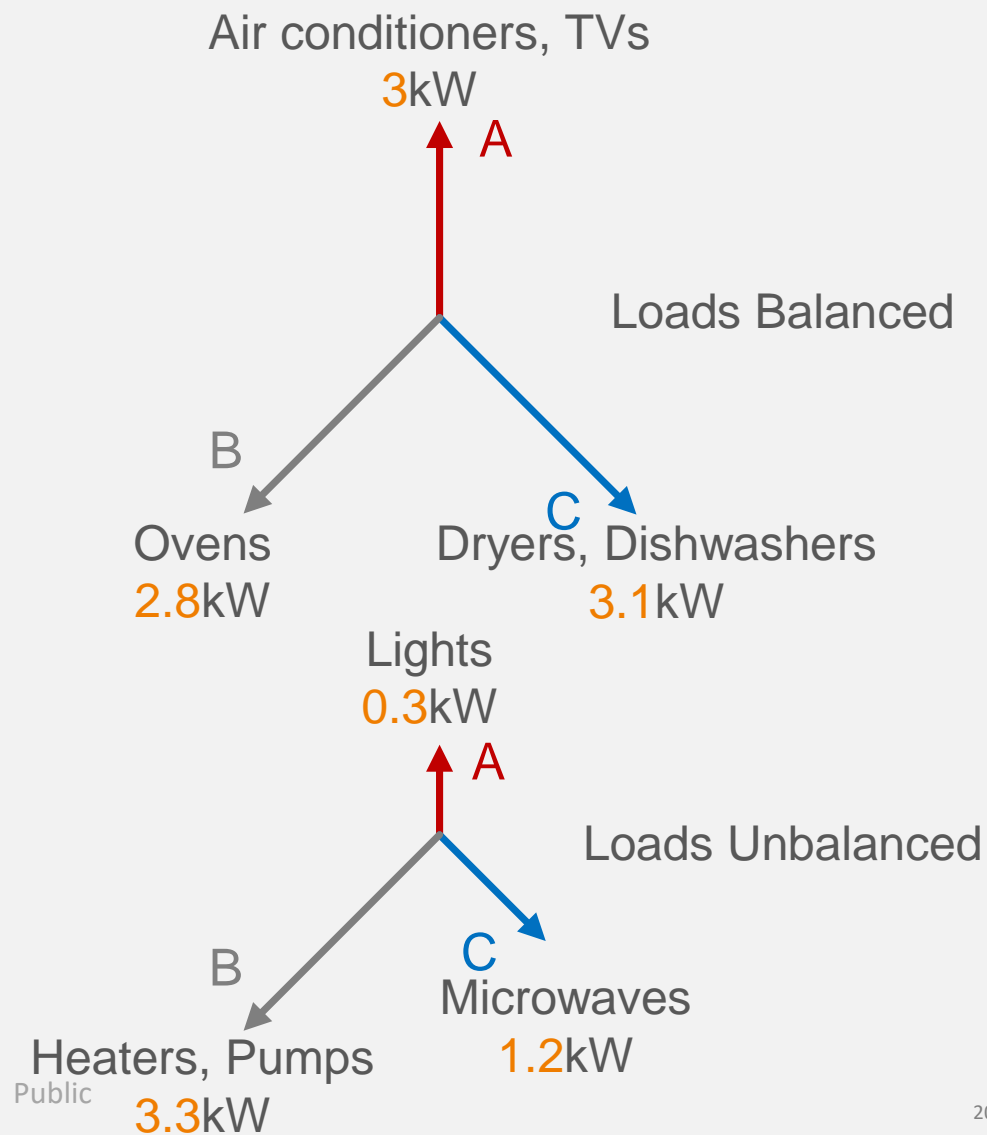


Cutting-edge Performance / Uninterrupted Back-up Power Supply

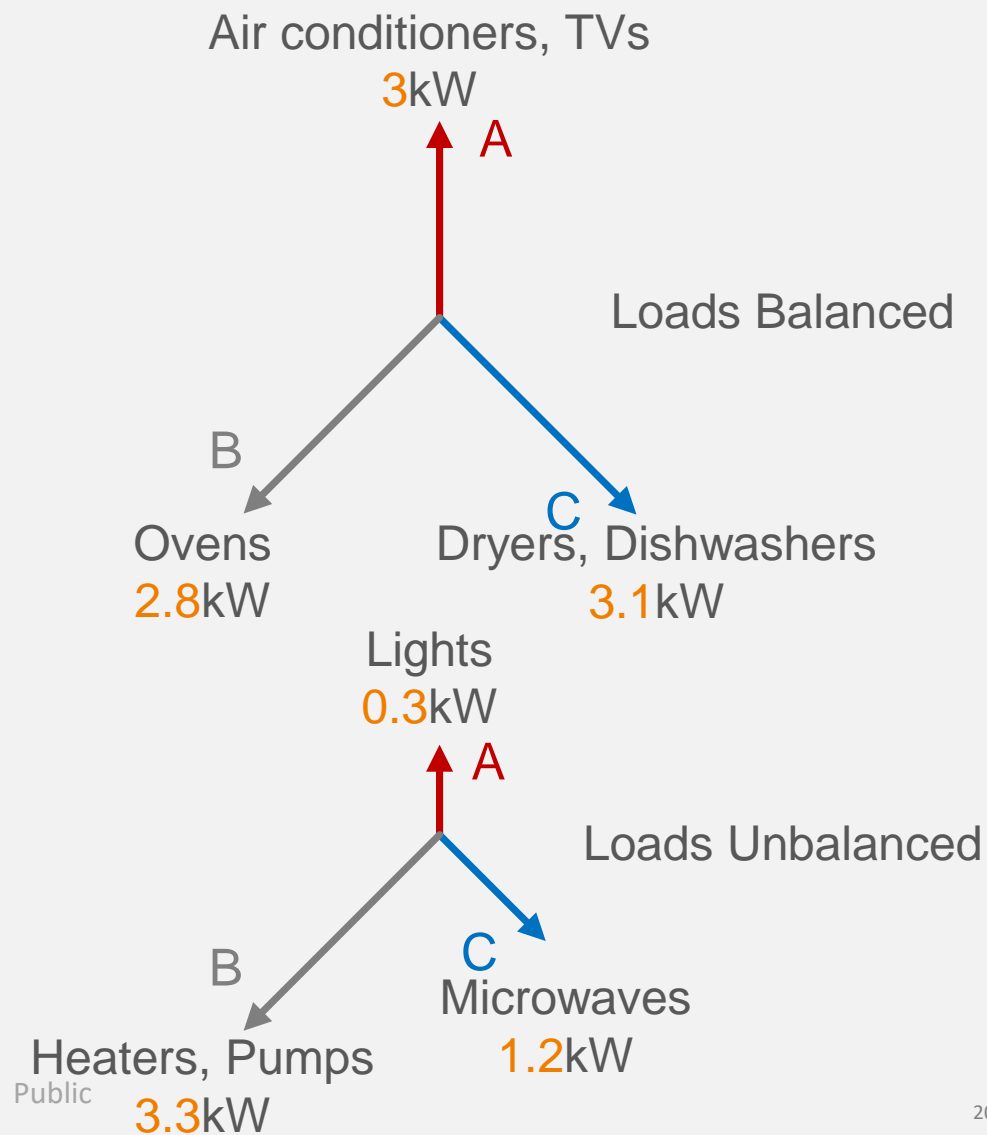


Public

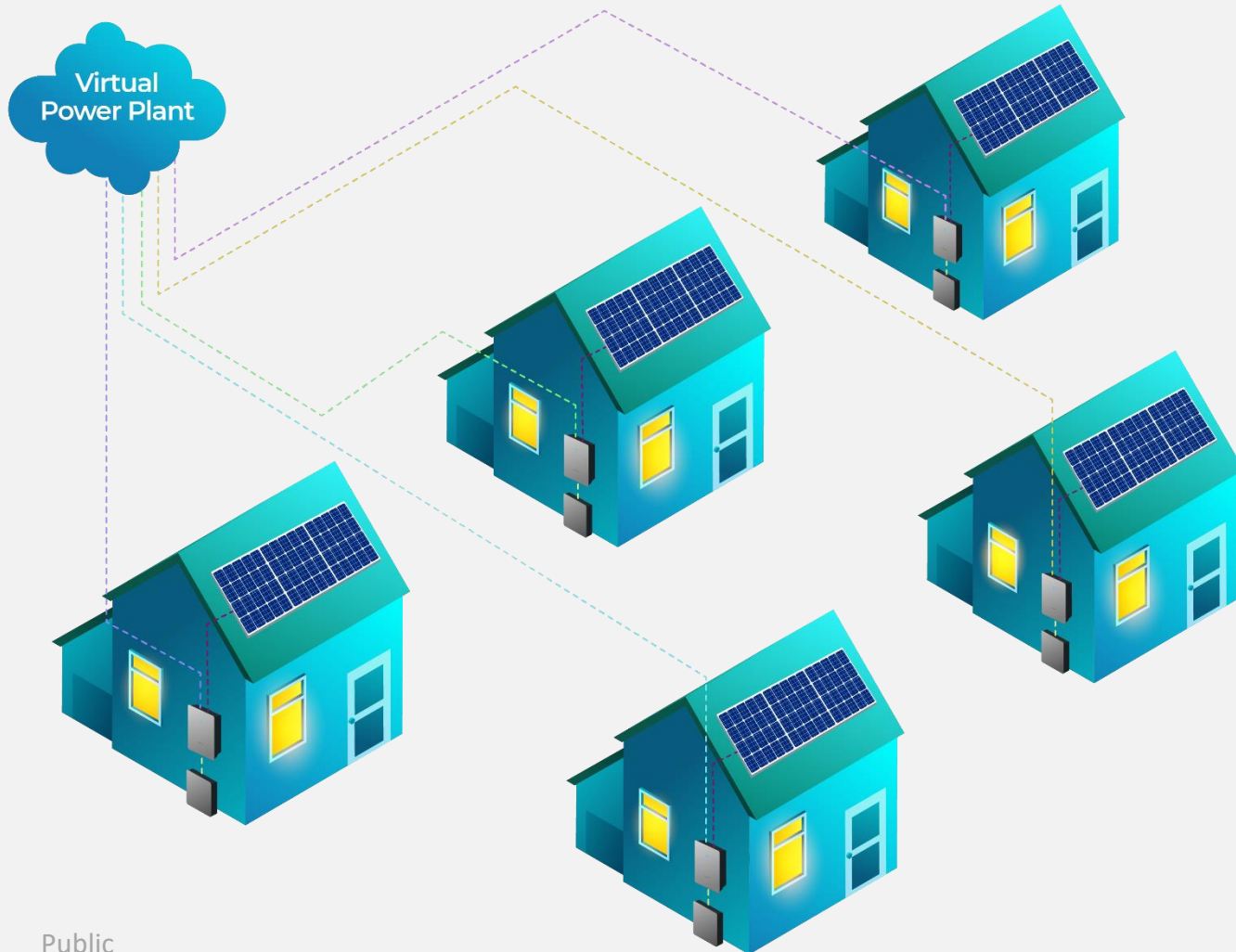
Cutting-edge Performance / Support 100% Unbalanced Loads in Off-grid Mode



Cutting-edge Performance / Support 100% Unbalanced Loads in Off-grid Mode



Cutting-edge Performance / Meet VPP Demand



Virtual Power Plant Partners in Australia



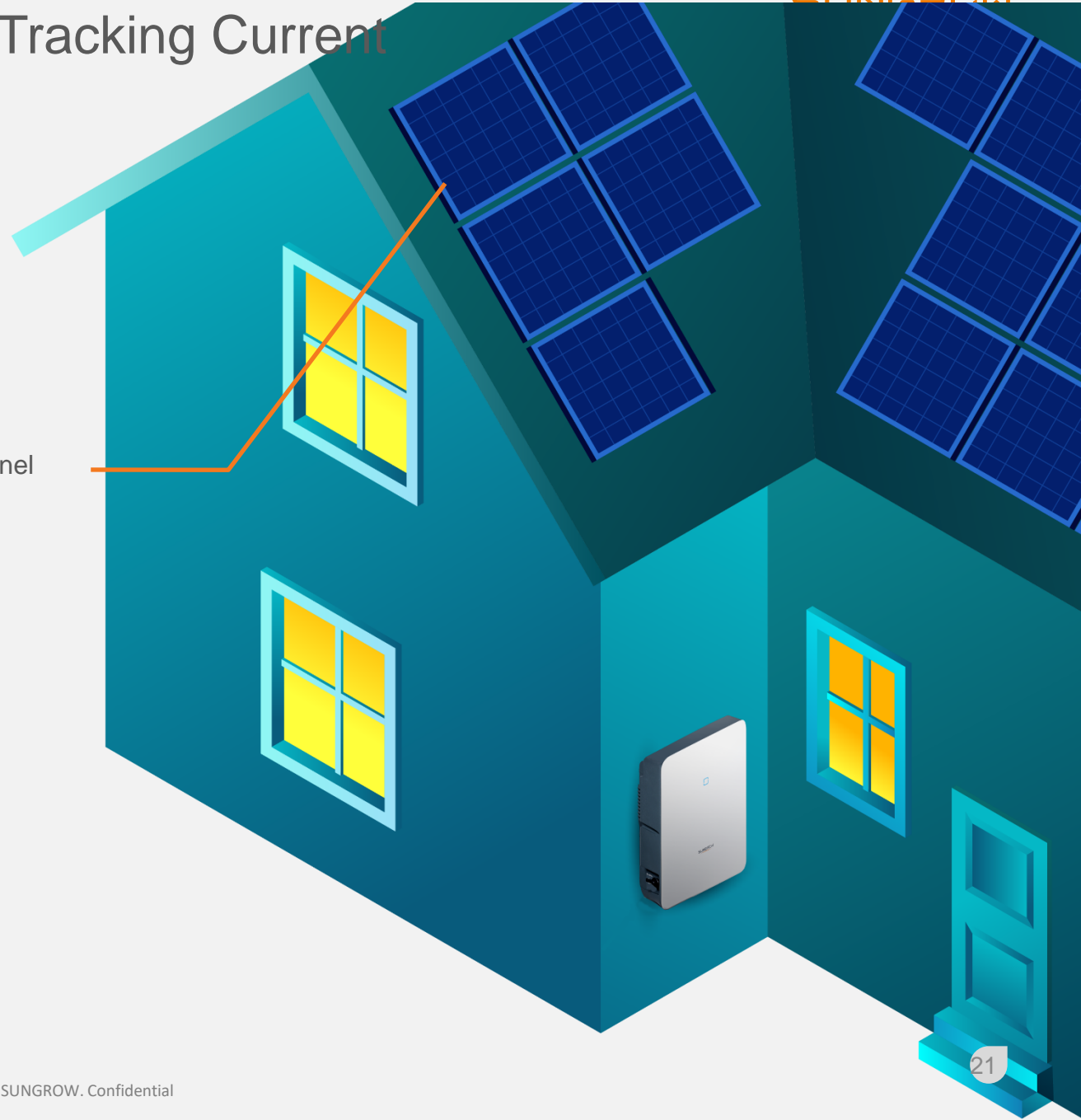
Cutting-edge Performance / 12.5 Amps Tracking Current

1 **LONGi** LR4-60HPH-370M
370W 10.76A @STC

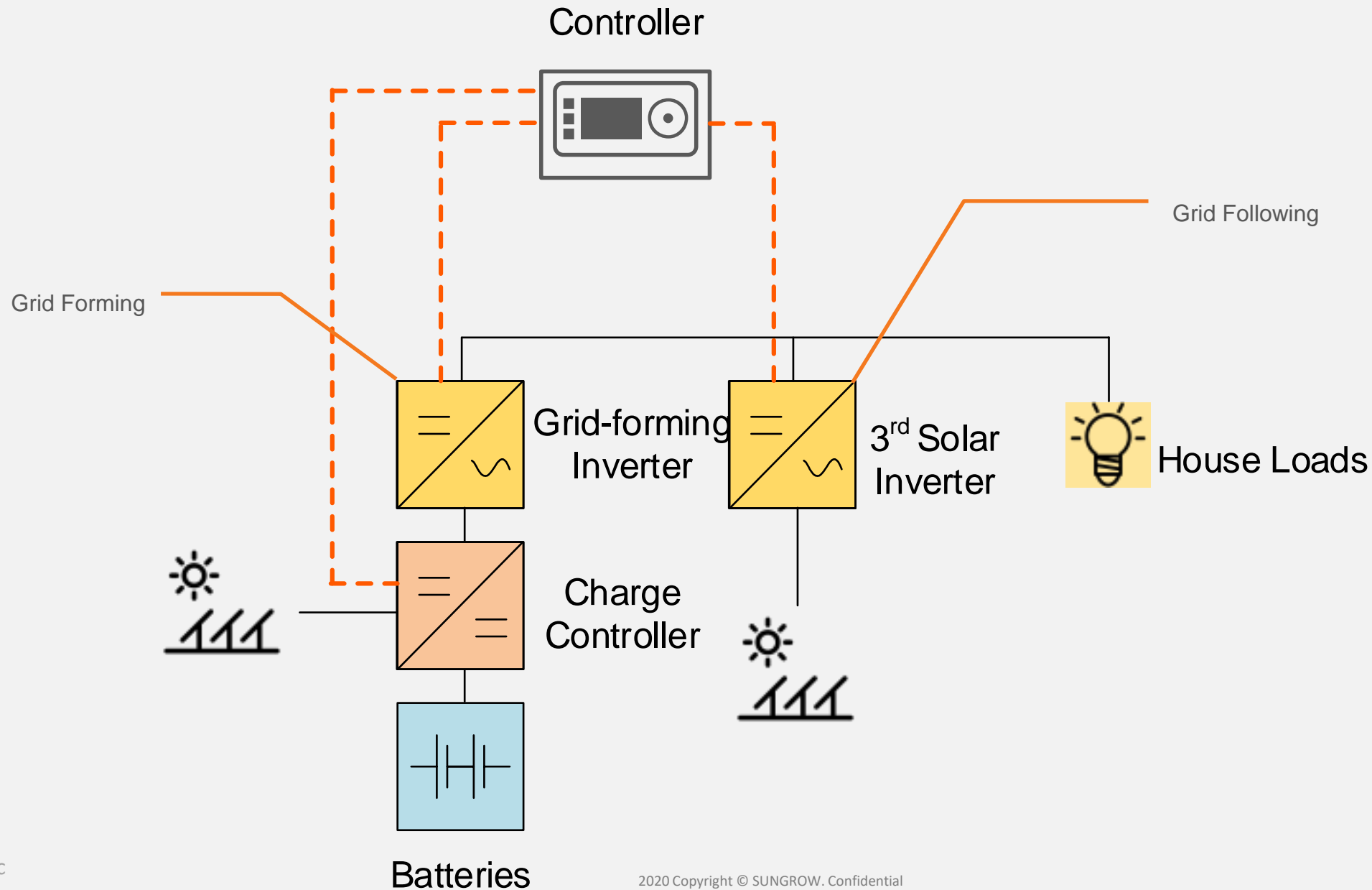
2 **TrinaSolar** HoneyM-DD08M.08(II)
370W 10.82A @STC

3 **CanadianSolar** CS3L-370MS
370W 11.05A @STC

370W 60/120Cells Panel



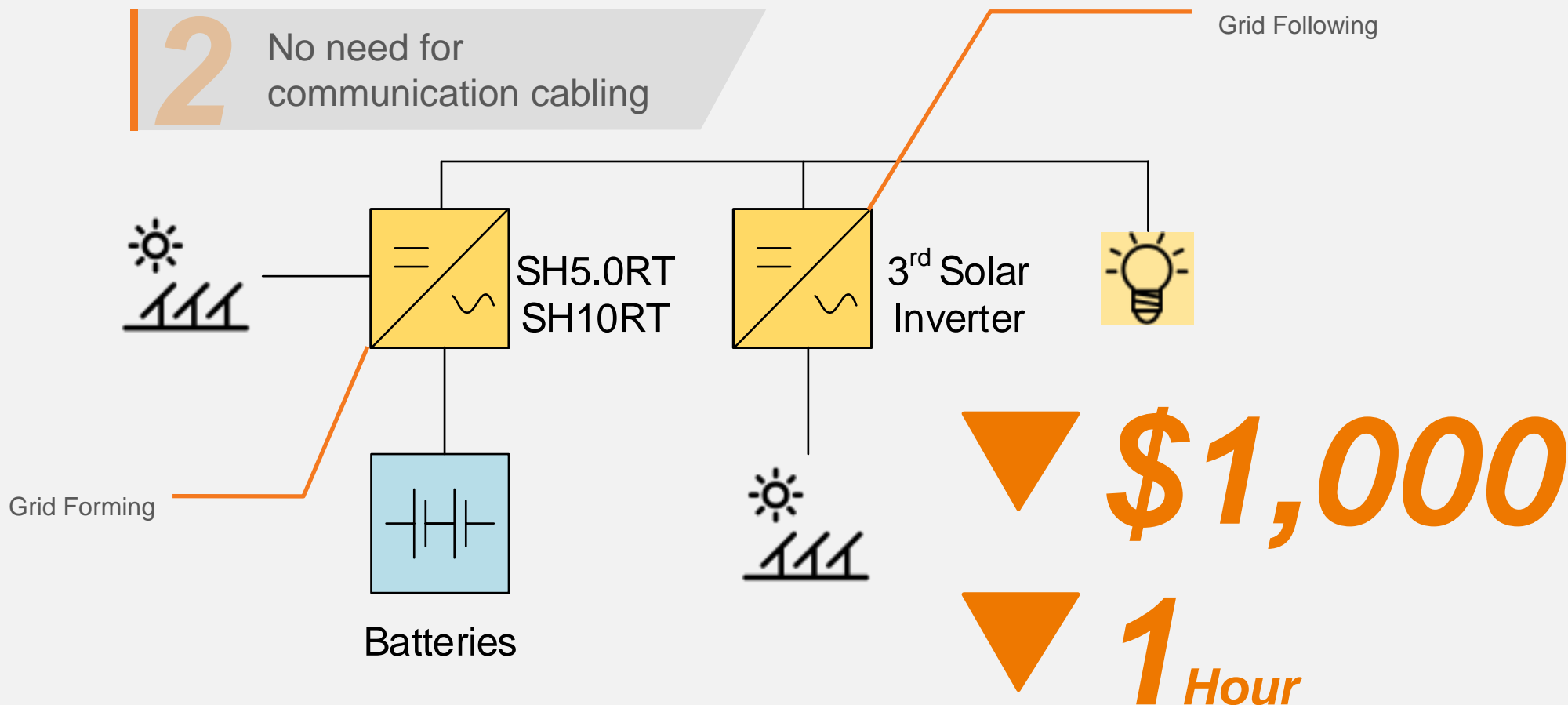
Cutting-edge Performance / Frequency Shifting in Off-grid



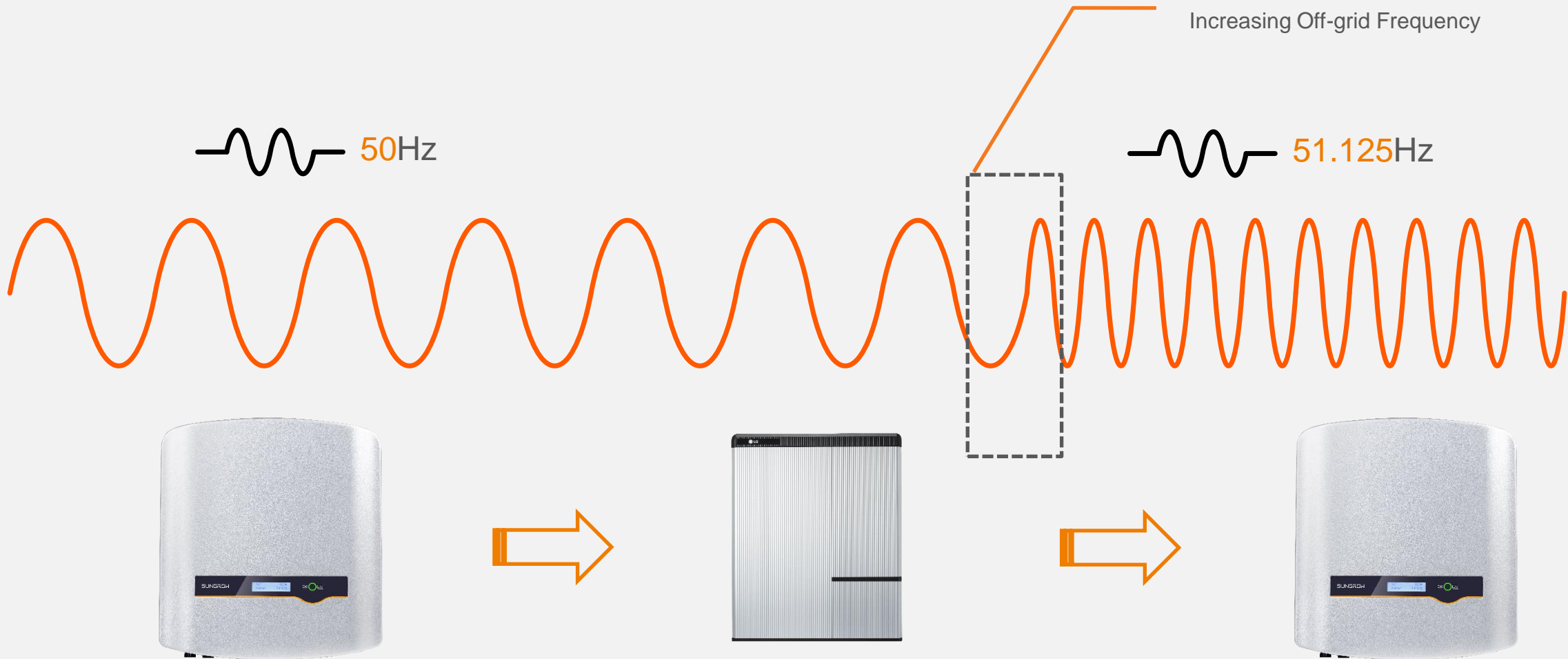
Cutting-edge Performance / Frequency Shifting in Off-grid

1 No need for external controllers

2 No need for communication cabling



Cutting-edge Performance / Frequency Shifting in Off-grid



Other Solar Inverter
Output 3kW

Battery Fully Charged 

Other Solar Inverter
Output 1.5kW



SIMPLE & EASY

Simple & Easy / In-built Certified PV Isolator

AS/NZS 5033:2018

AS 60947.3:2018

EESS/ERAC Database (Level3)

▼ **\$100**

▼ **0.5 Hour**

Strictly comply with relevant **Australian** standards; installers do not need to install PV isolators adjacent to inverter.



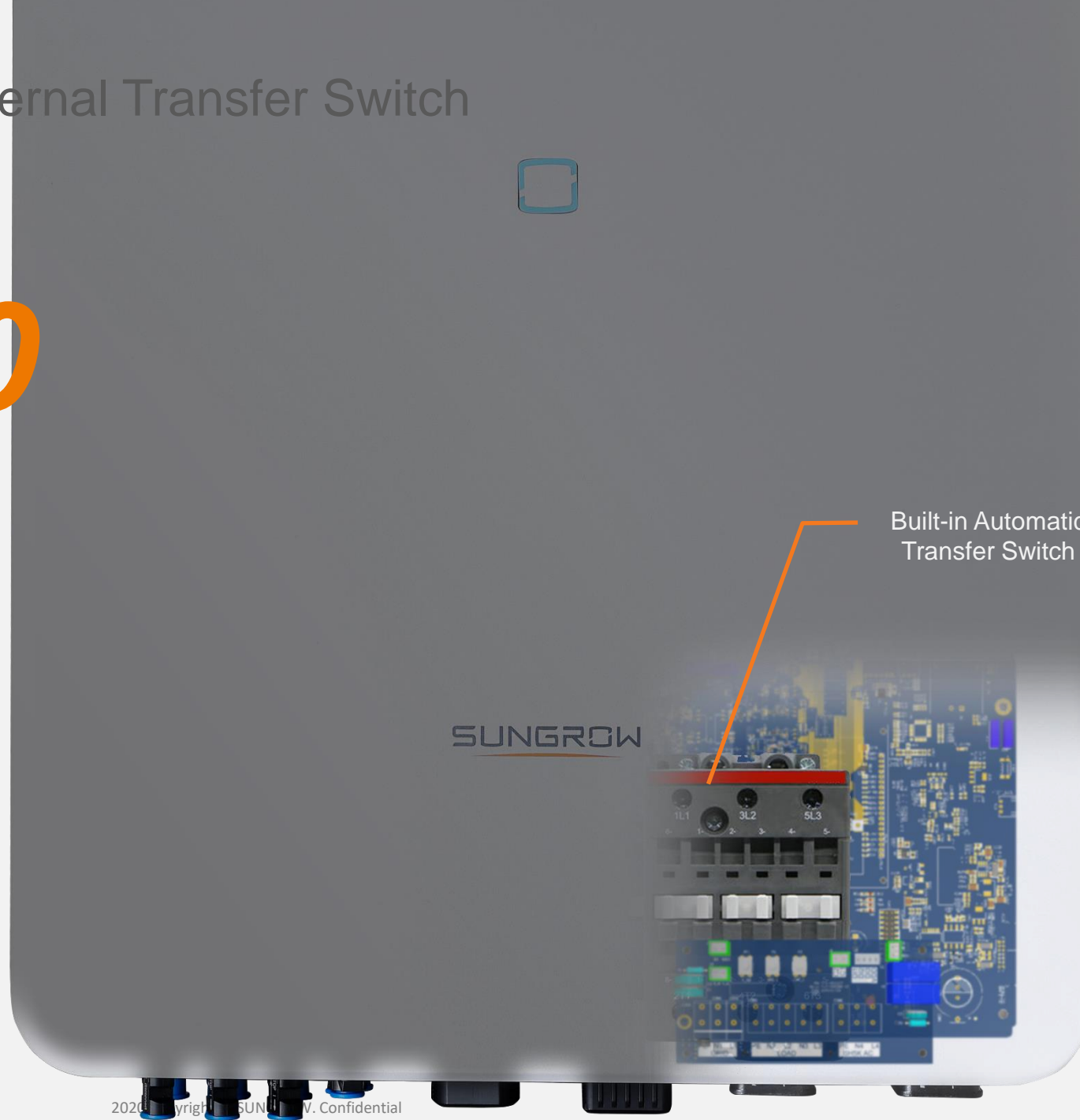
Simple & Easy / No More External Transfer Switch

▼ **\$300**

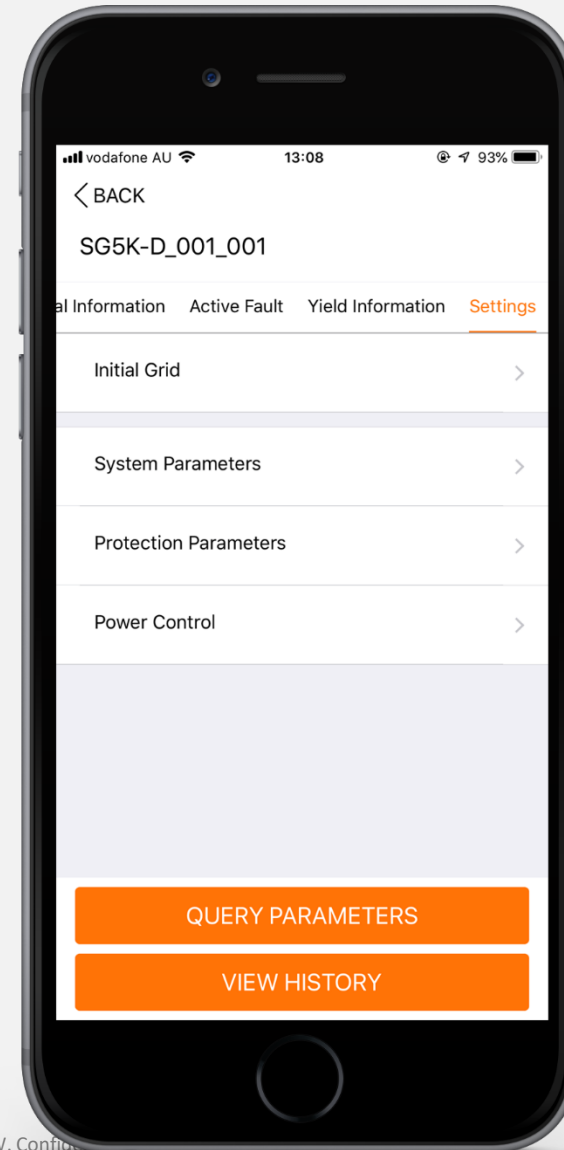
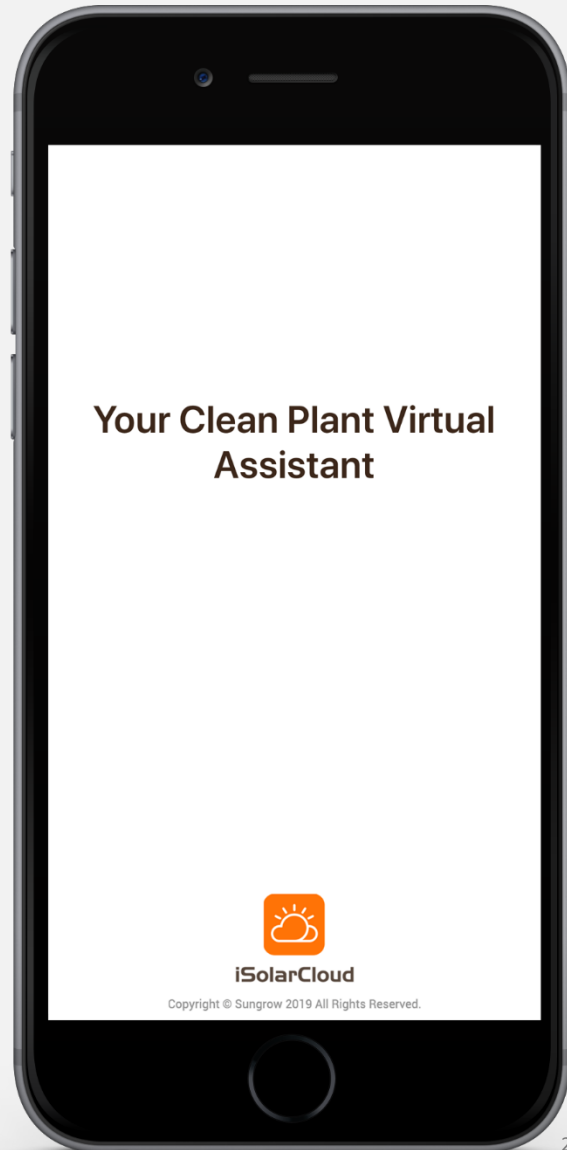
▼ **1 Hour**

Forget the external transfer switch (EPS Box).

We have integrated the transfer switch into the inverter.



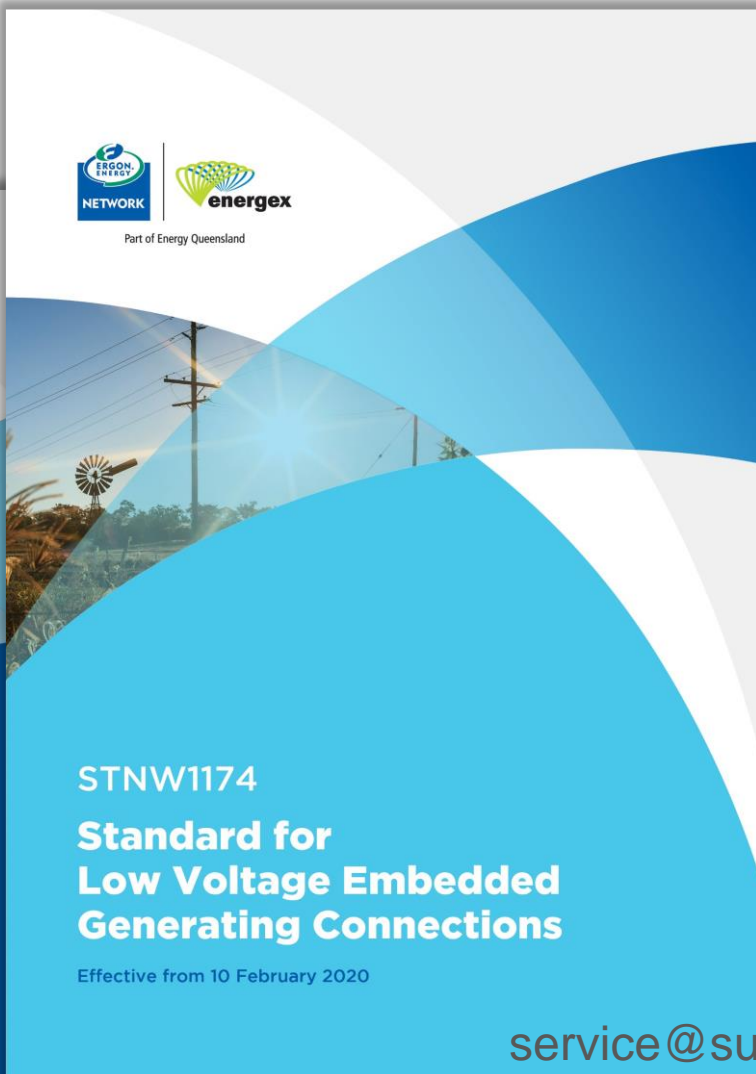
Simple & Easy / One-click Commissioning



Simple & Easy / One-click Commissioning



STNW1170
Standard for
Micro Embedded
Generating Connections
Effective from 10 February 2020

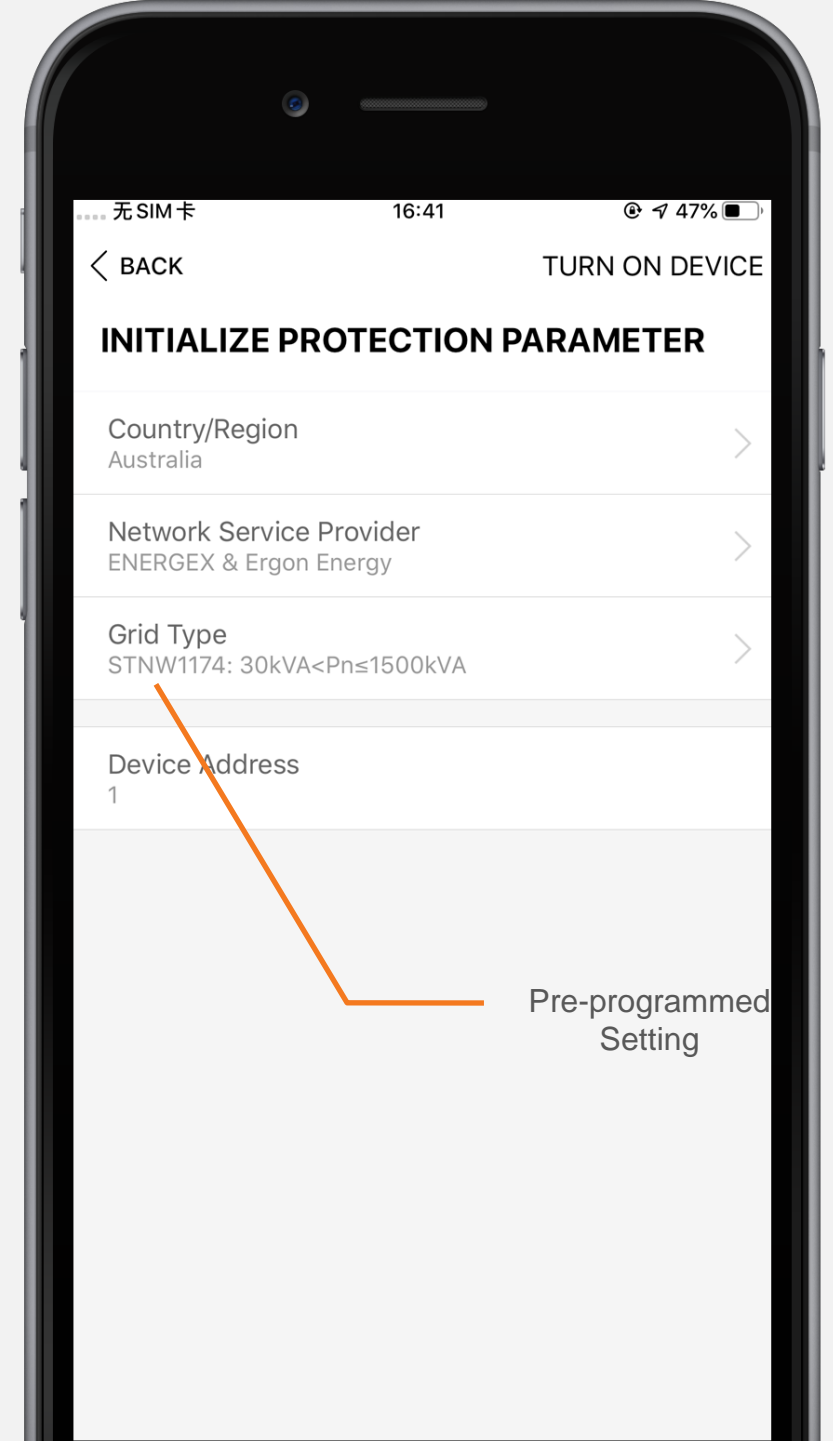


STNW1174
Standard for
Low Voltage Embedded
Generating Connections
Effective from 10 February 2020



More DNSPs
Coming soon

service@sungrowpower.com.au
info@sungrowpower.com.au



Simple & Easy / Plug and Play Terminals

SUNGROW

WIFI/4G Dongle
Plug and Play

PV Connector
MC4
Battery Connector
SUNCLIX

Comm. Port
Push-in connection

Grid Connector
Patented Connector





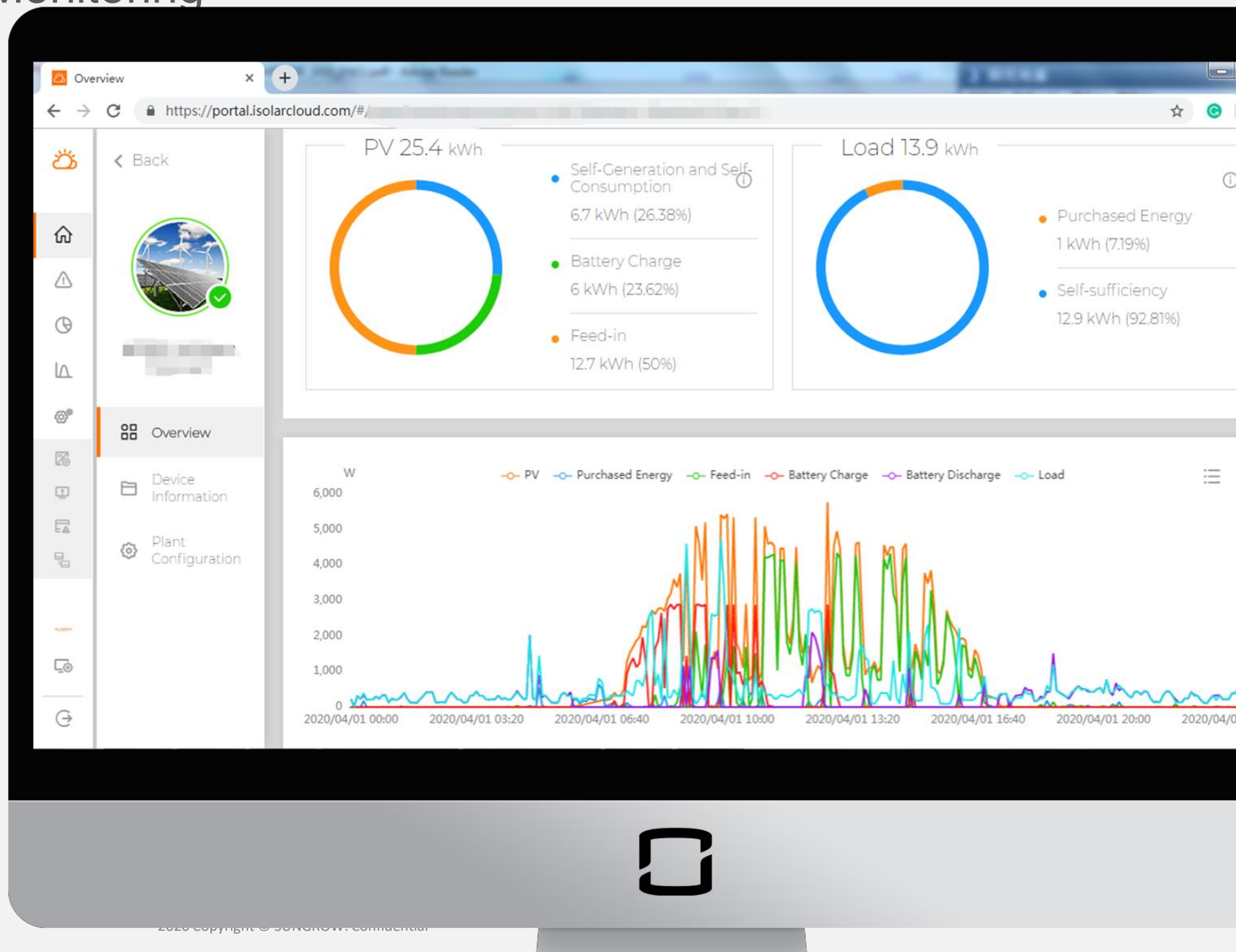
TINY BUT POWERFUL

Tiny but powerful / 7*24H Monitoring

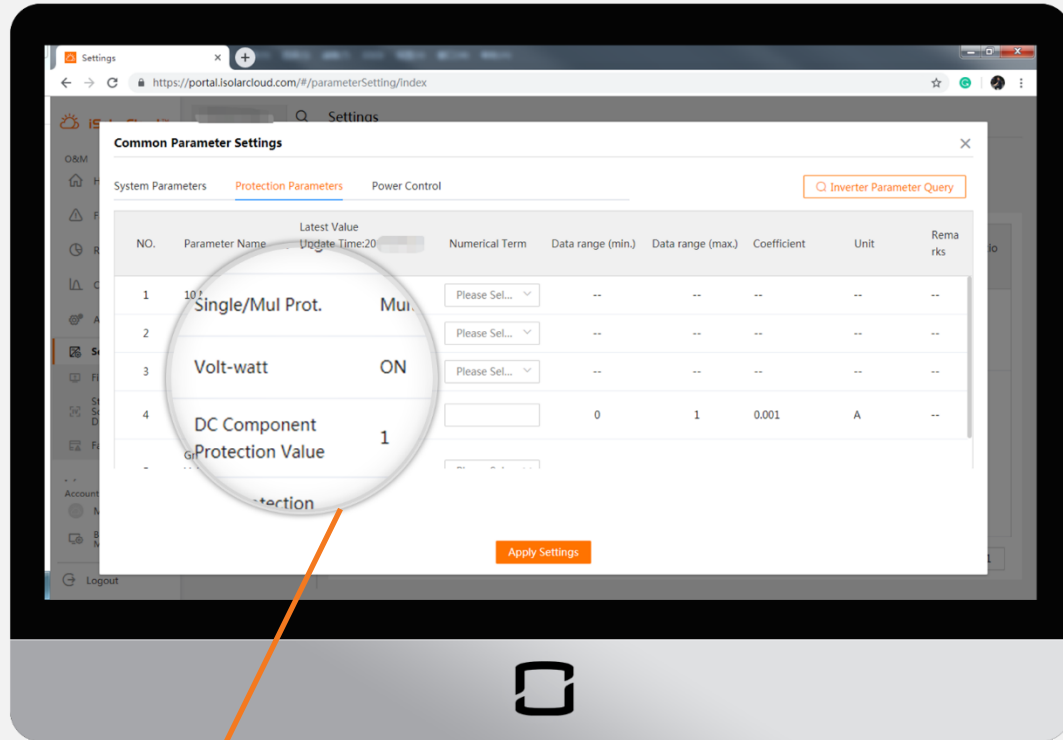
1 Massive Statistical Data

2 5mins Data Interval

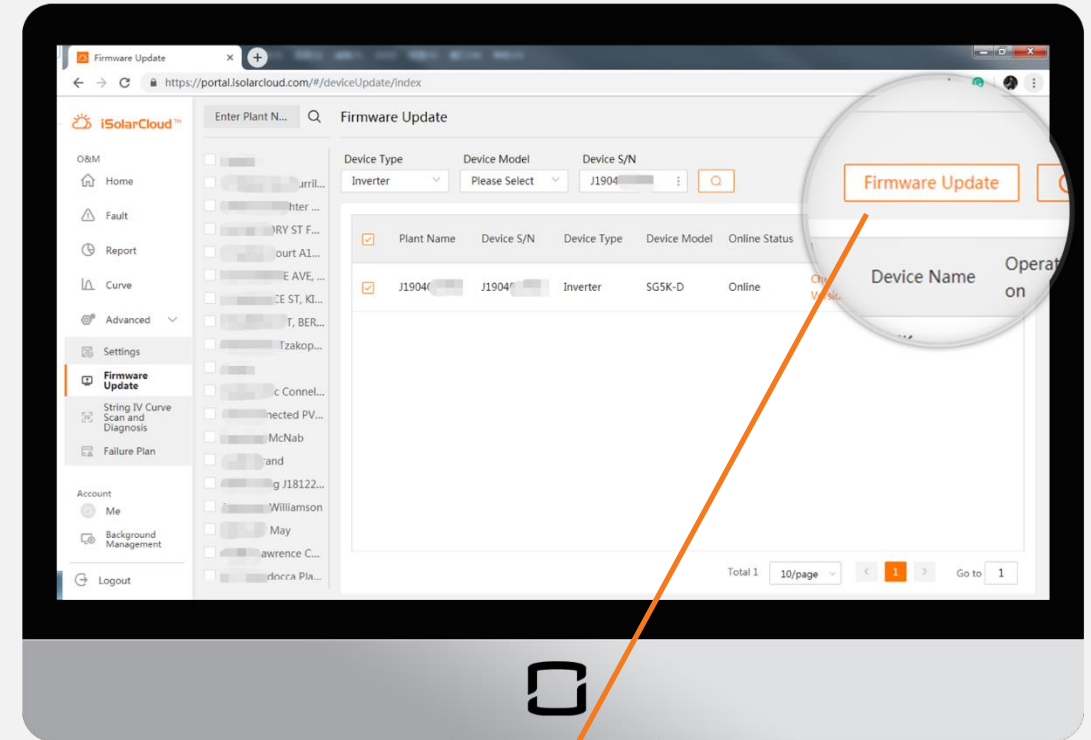
3 Cloud-based Storage



Tiny but powerful / Remote Setting and Firmware Upgrading



Remote Parameters Setting



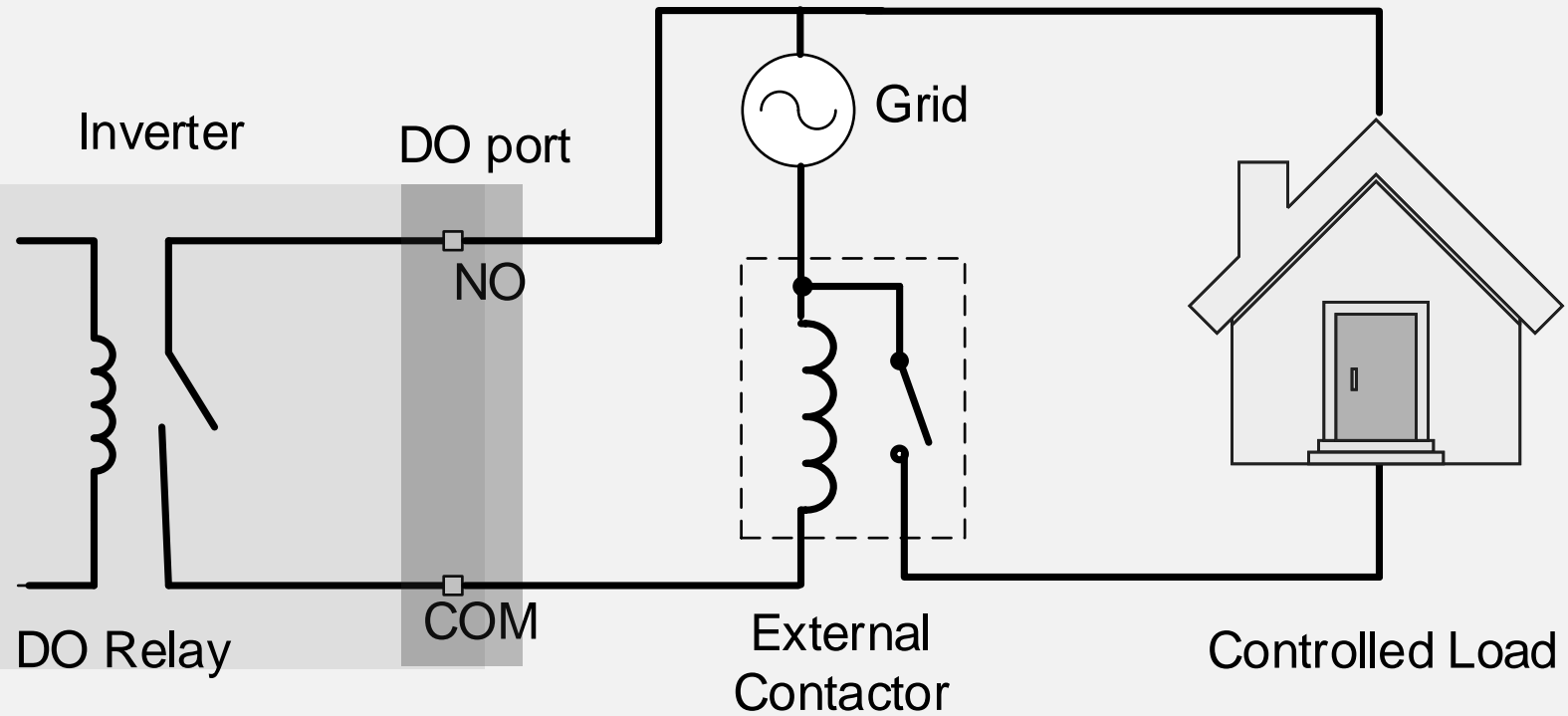
One-click Firmware Upgrading

Tiny but powerful / Load Control Timer

1 Timing Mode

2 Switch Mode

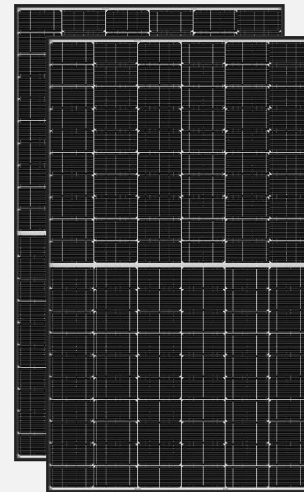
3 Intelligent Mode



Tiny but powerful / Intelligent EMS Built-in



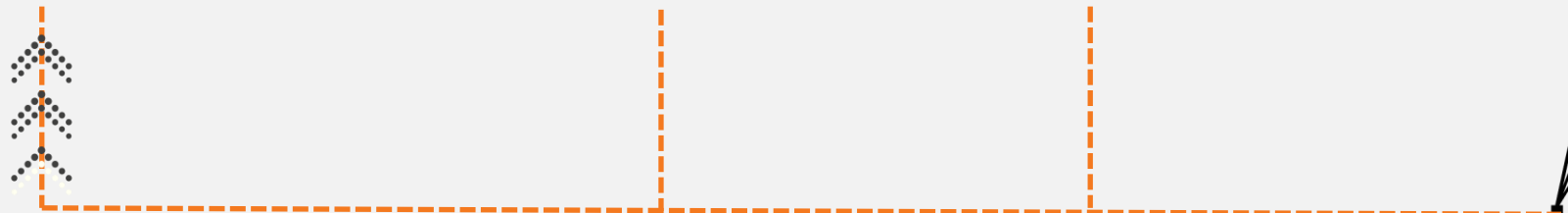
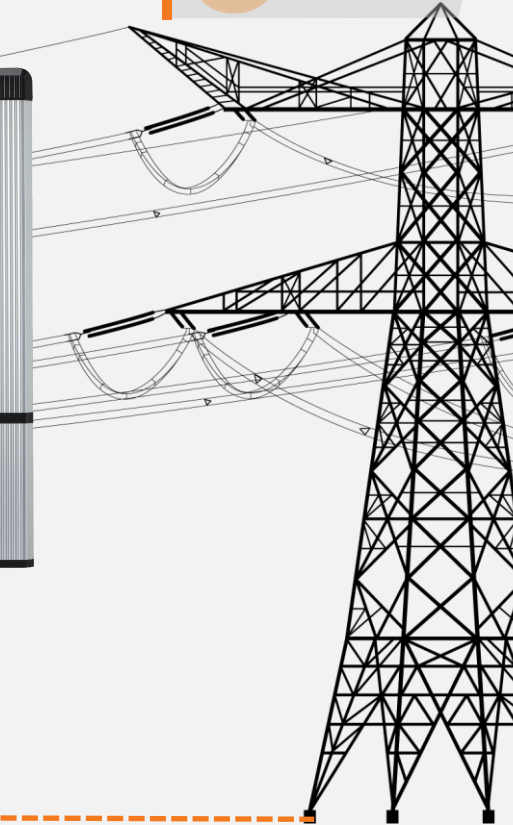
1 Solar



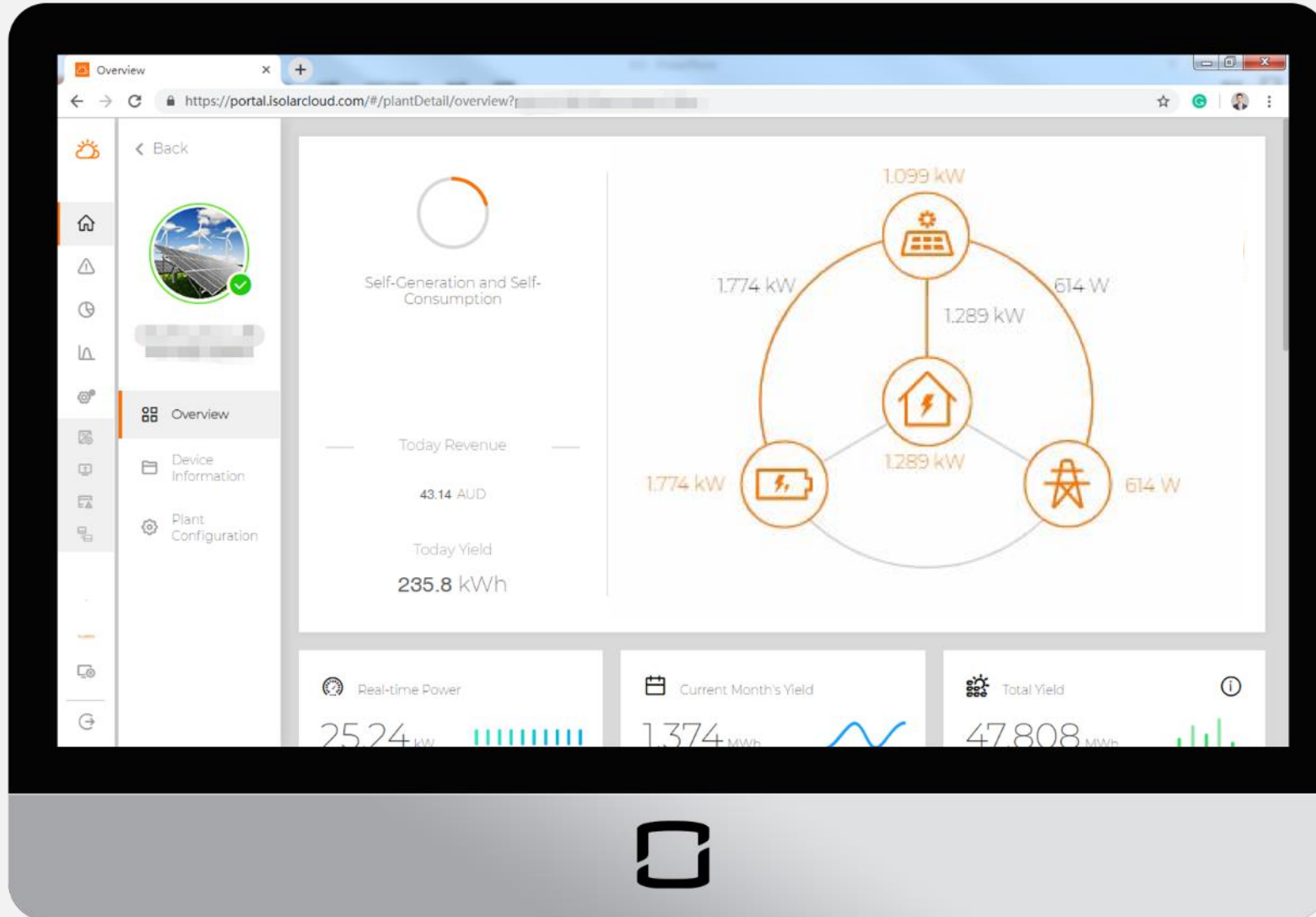
2 Battery



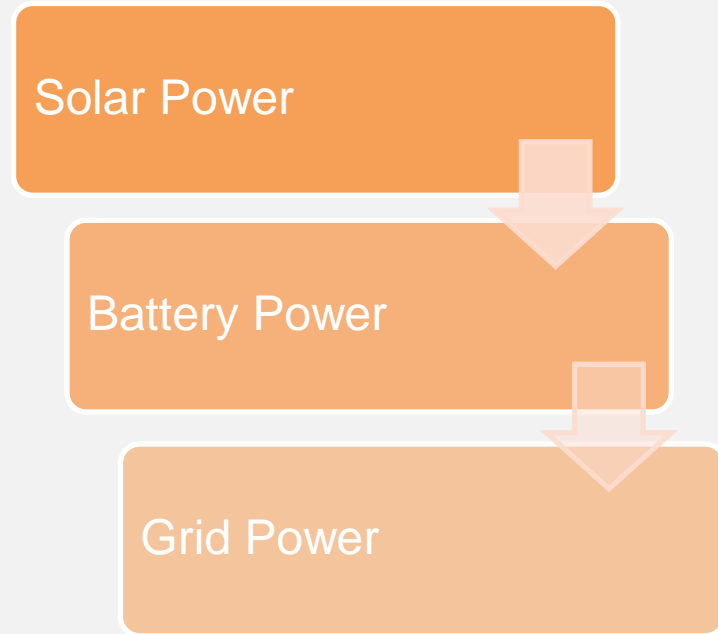
3 Grid



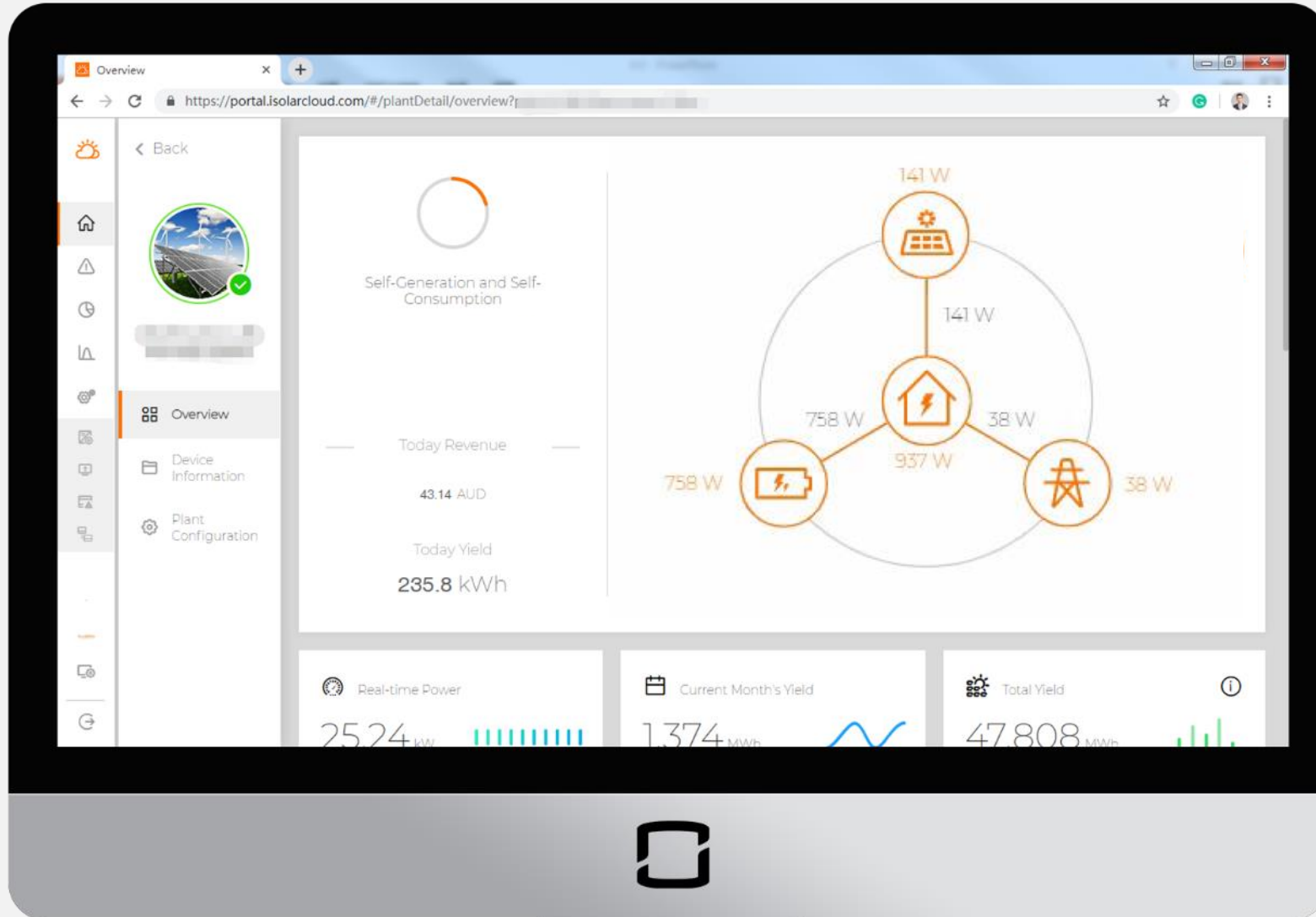
Tiny but powerful / Intelligent EMS Built-in



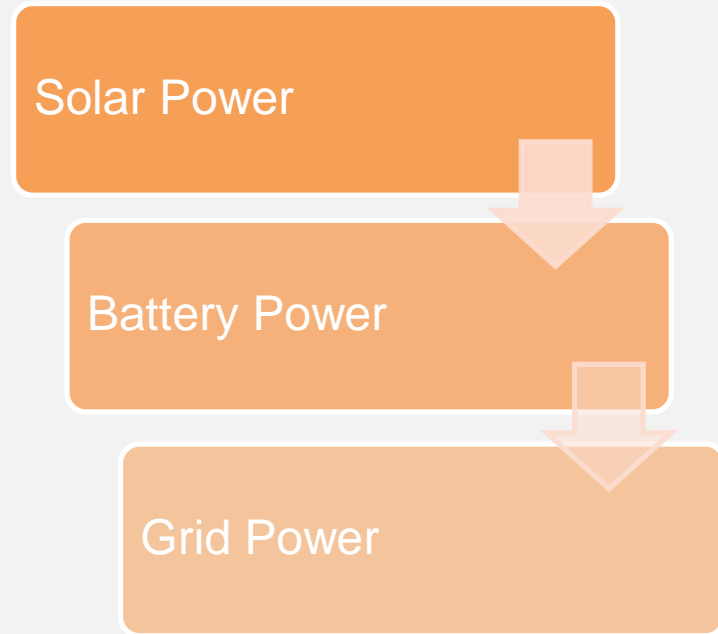
Energy Priority



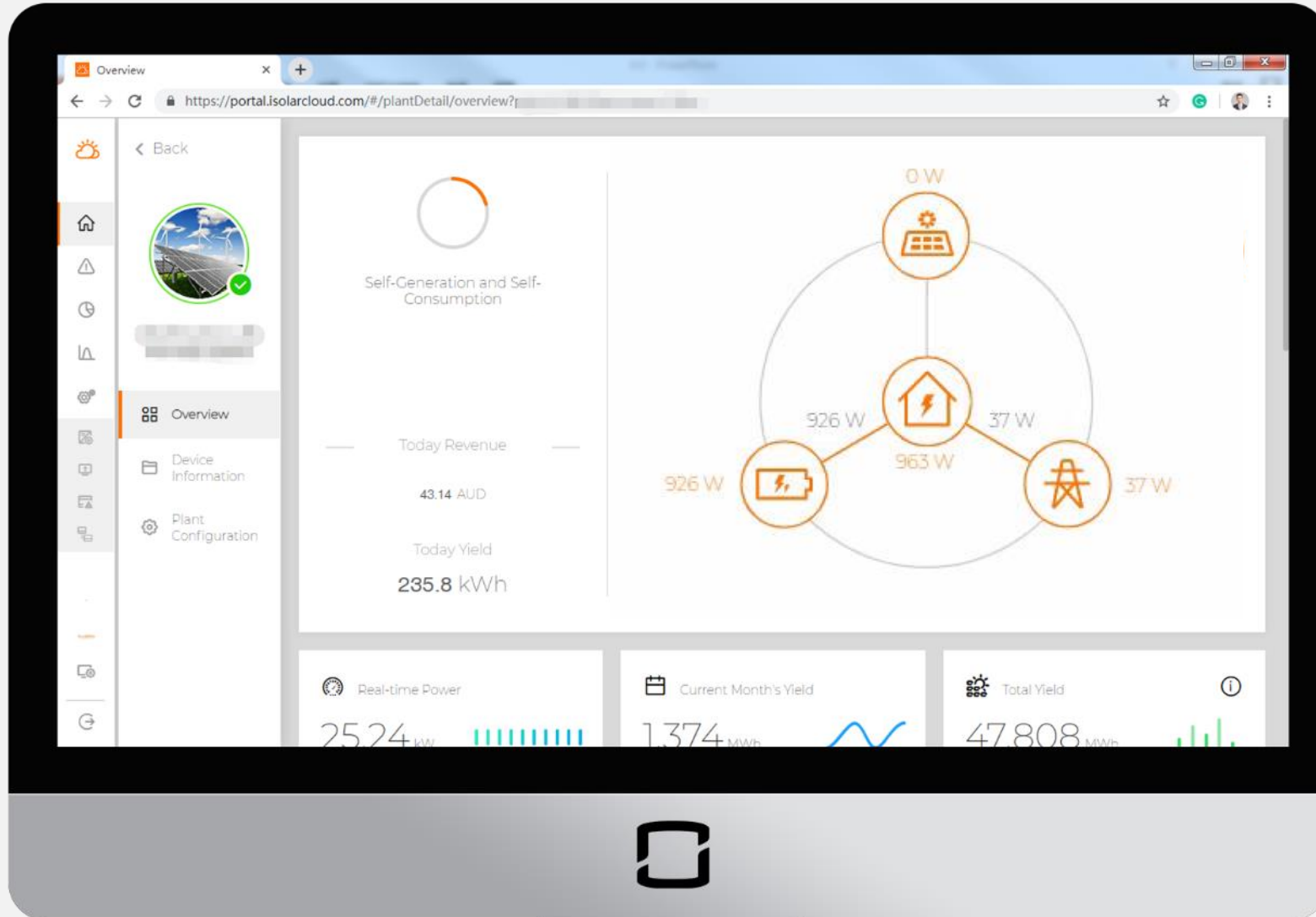
Tiny but powerful / Intelligent EMS Built-in



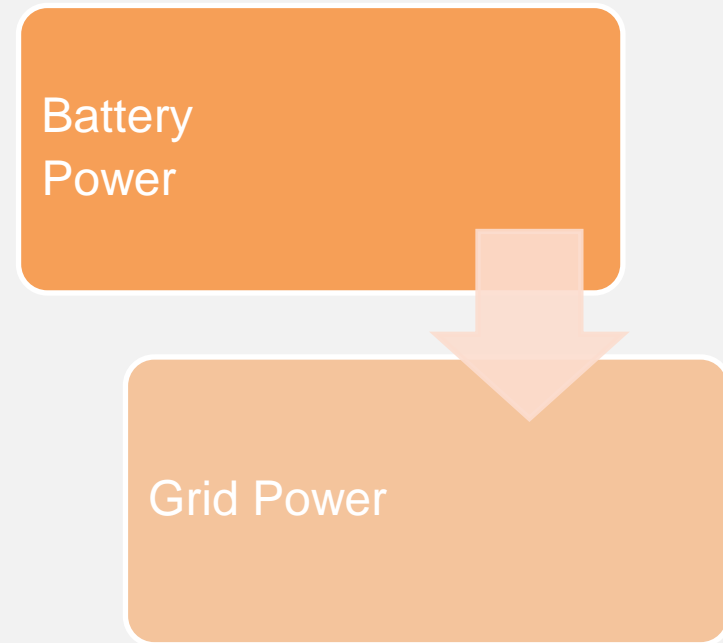
Energy Priority



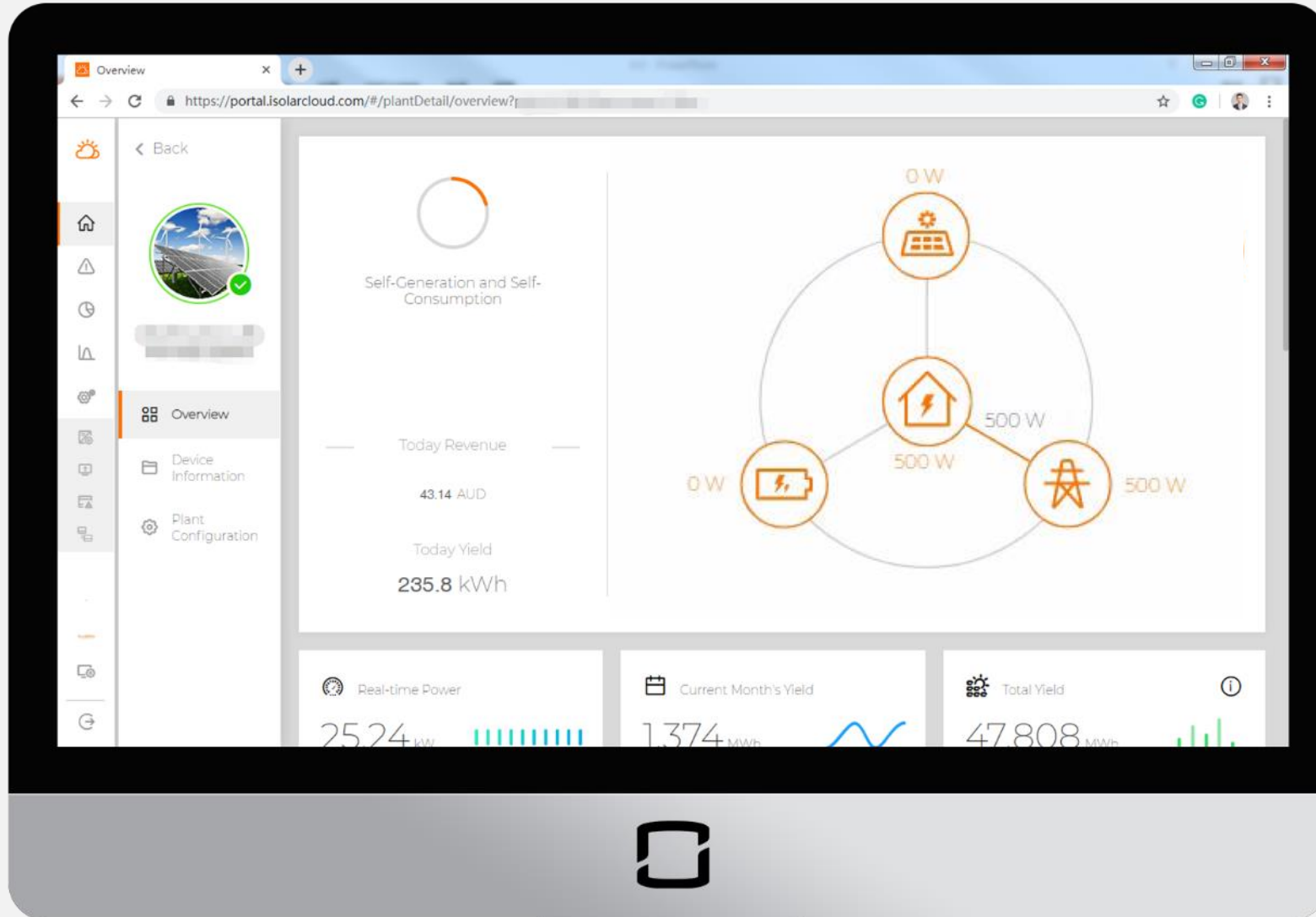
Tiny but powerful / Intelligent EMS Built-in



Energy Priority



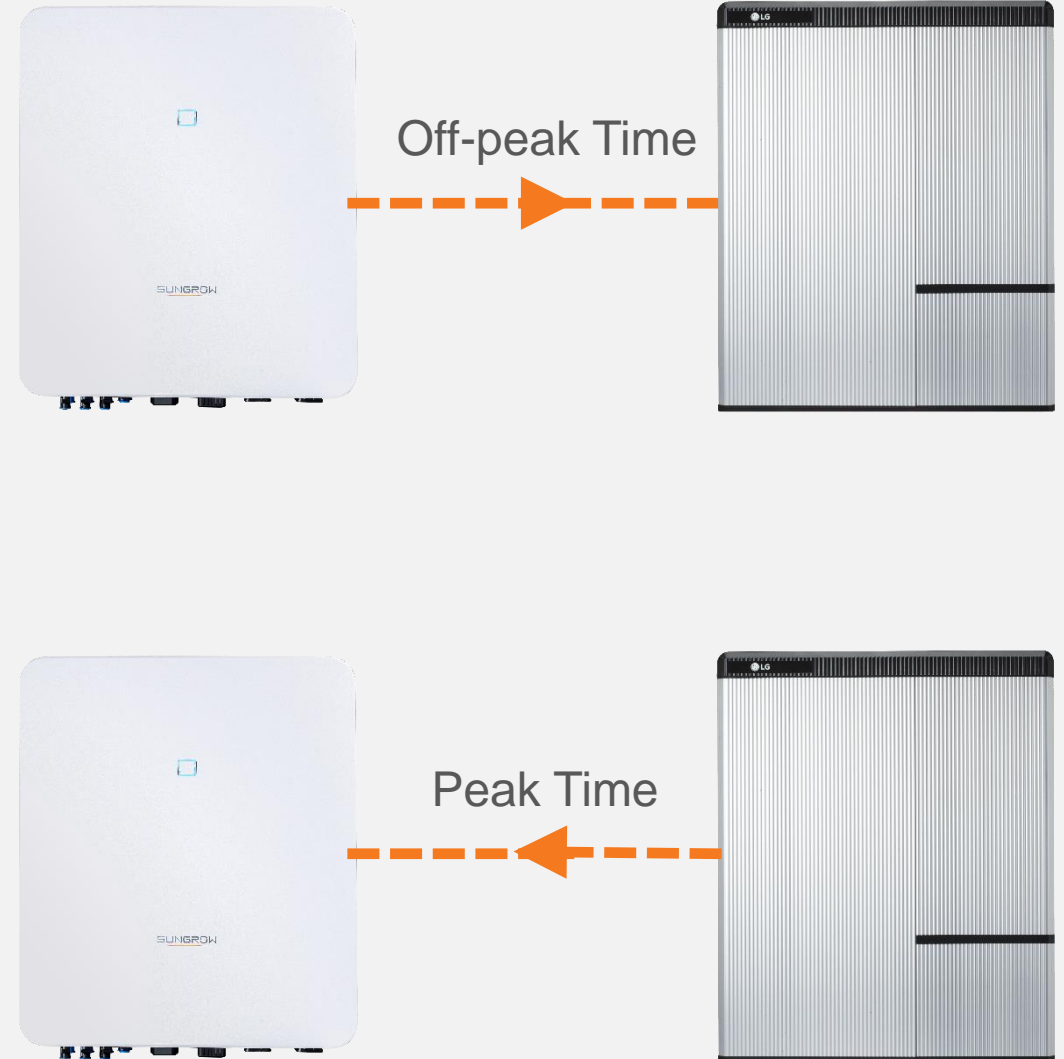
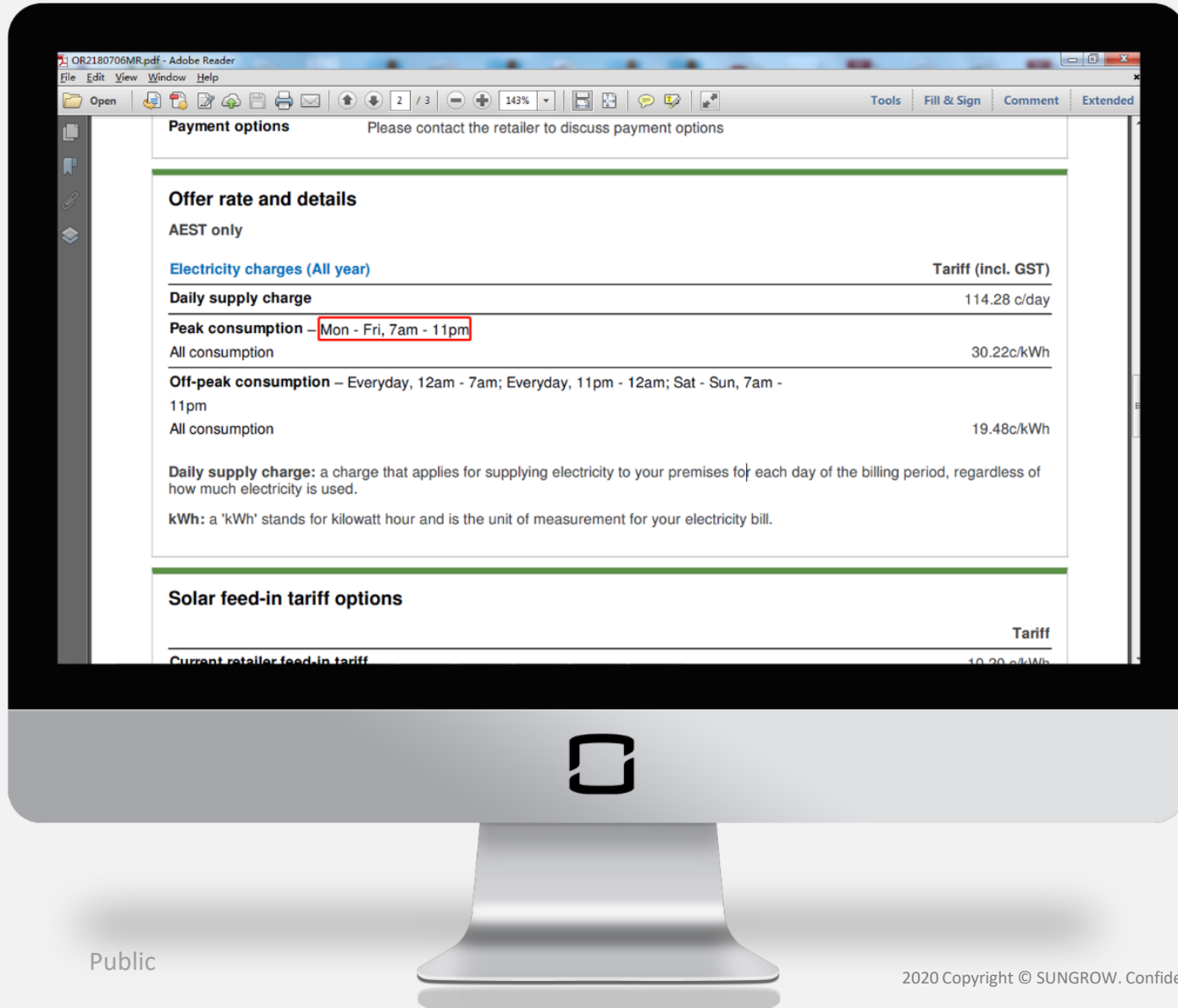
Tiny but powerful / Intelligent EMS Built-in



Energy Priority

Grid Power

Tiny but powerful / Battery Customized Control





TYPICAL APPLICATION

Standard

To Solar



Main Switchboard



Emergency Load
Switchboard



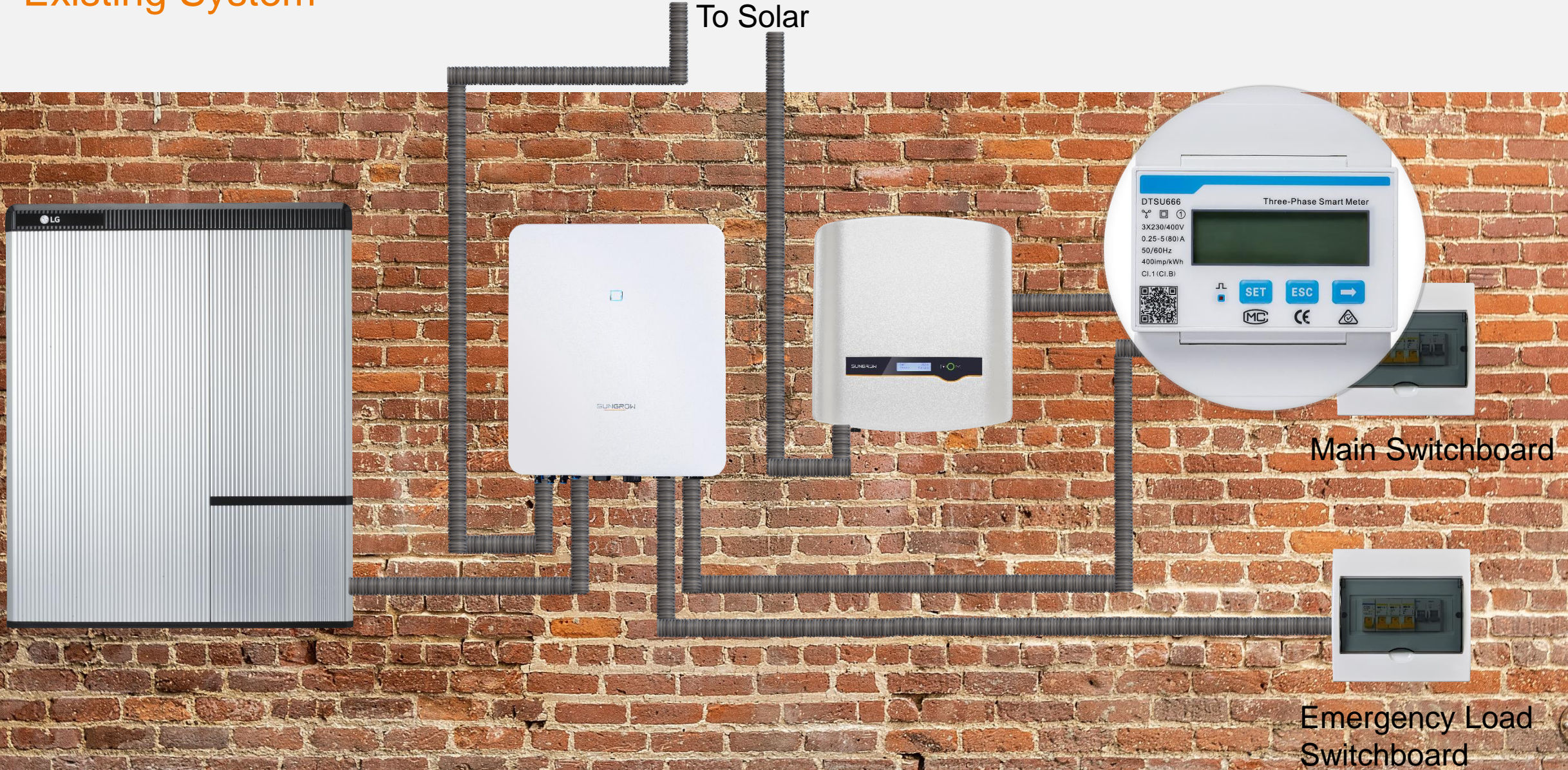
AC Charger



Main Switchboard

Emergency Load
Switchboard

Existing System



Existing System without PV

To Solar



Pure Off-grid



To Solar

Load Switchboard
12kW Surge Power

KUBOTA

KUBOTA

LOWE
DIESEL ENGINE GEN

FORK ↓

FOR

SUNGROW

Clean power for all

